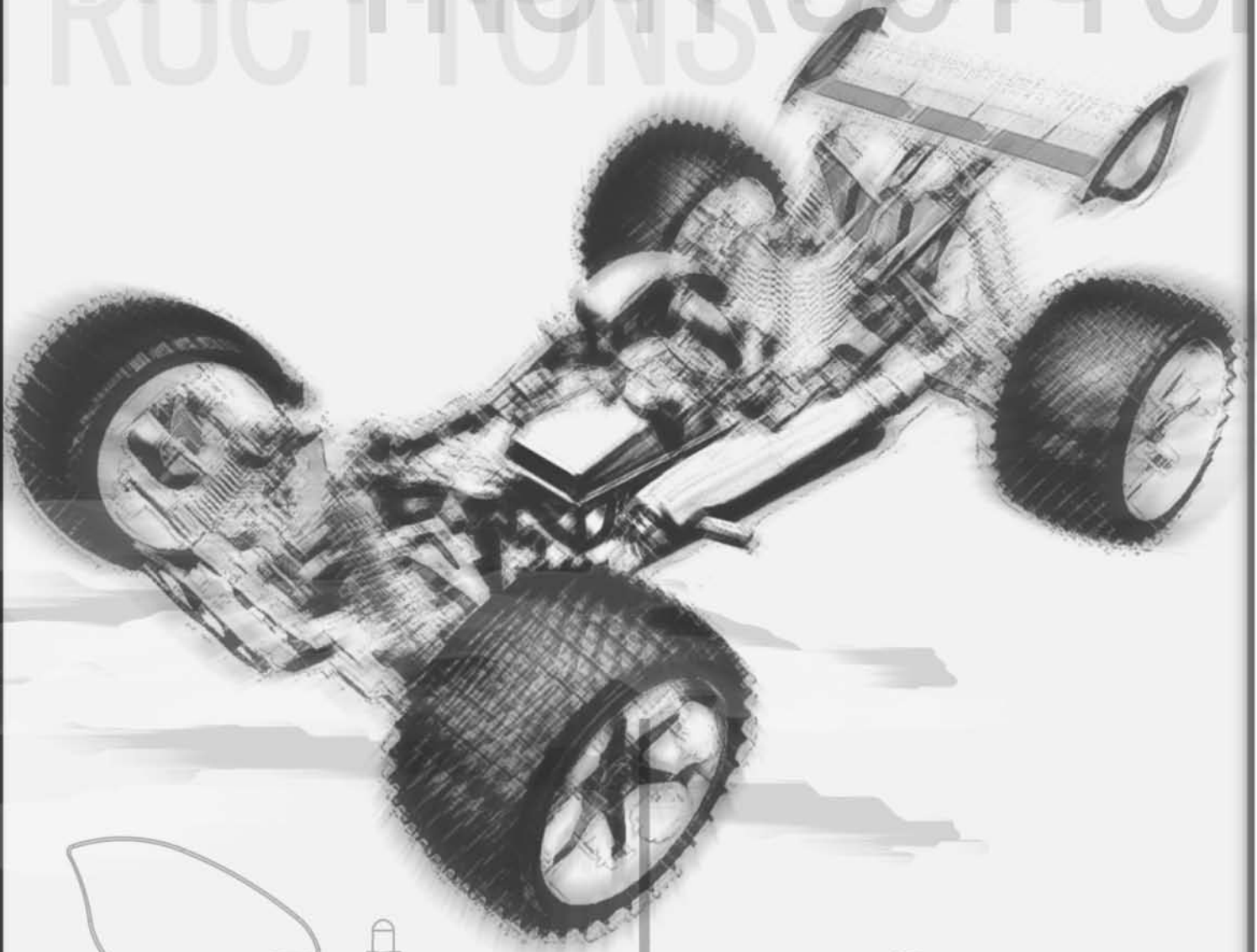


HYPER[★]ST

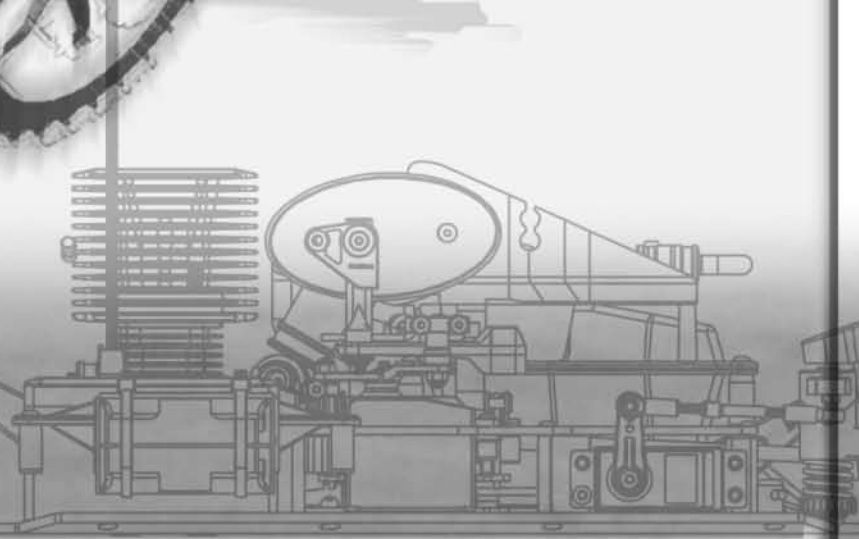
RTR WITH PRO PERFORMANCE

1/8 Scale Gas Powered Racing Truggy

INSTRUCTIONS MANUAL



HoBao



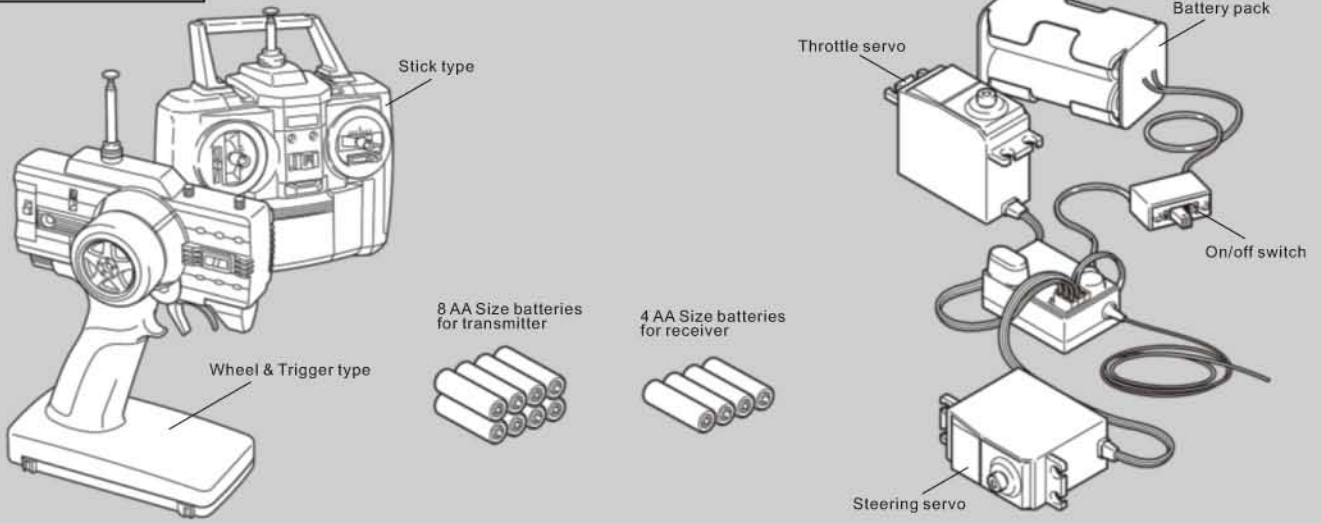
HYPER★ST

RTR WITH PRO PERFORMANCE

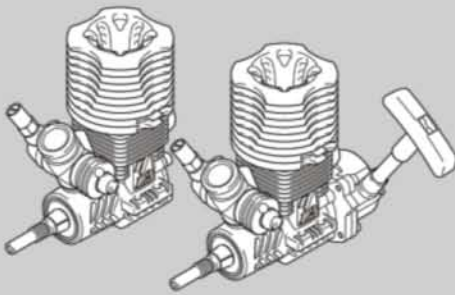


Required

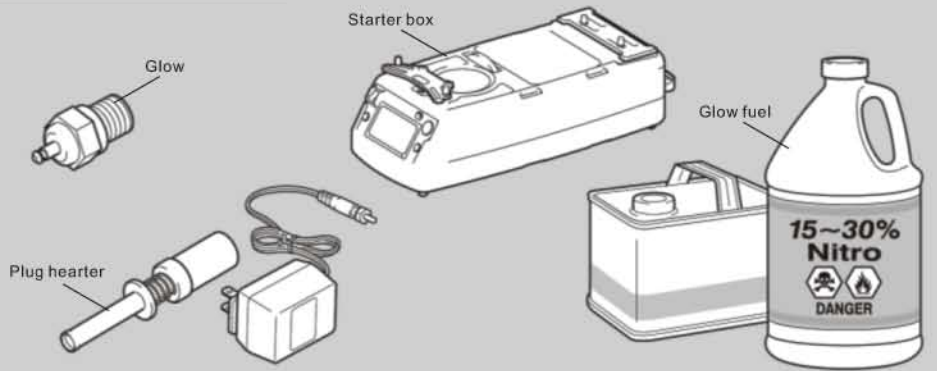
Radio control equipment set



Mac★28 Engine series



Required for engine starting



Tools recommended

Hex wrench with 2.5mm



2mm



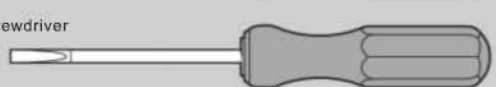
1.5mm



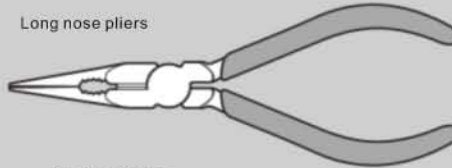
⊕ Screwdriver (small)



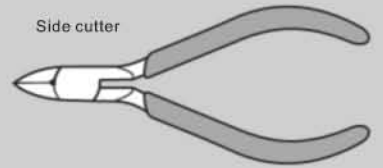
⊖ Screwdriver



Long nose pliers



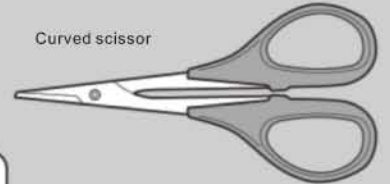
Side cutter



Modeling knife



Curved scissor



Instant cement



Thread lock



Instant cement



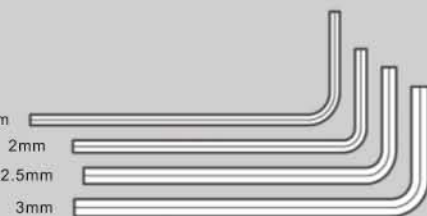
Rubber cement



Included items

Hex wrench with

1.5mm



2mm

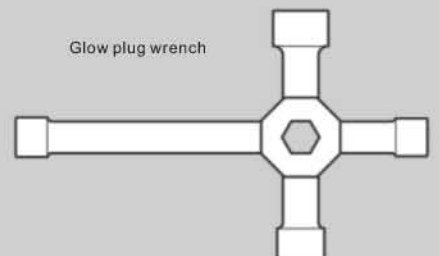
2.5mm

3mm

Fuel bottle

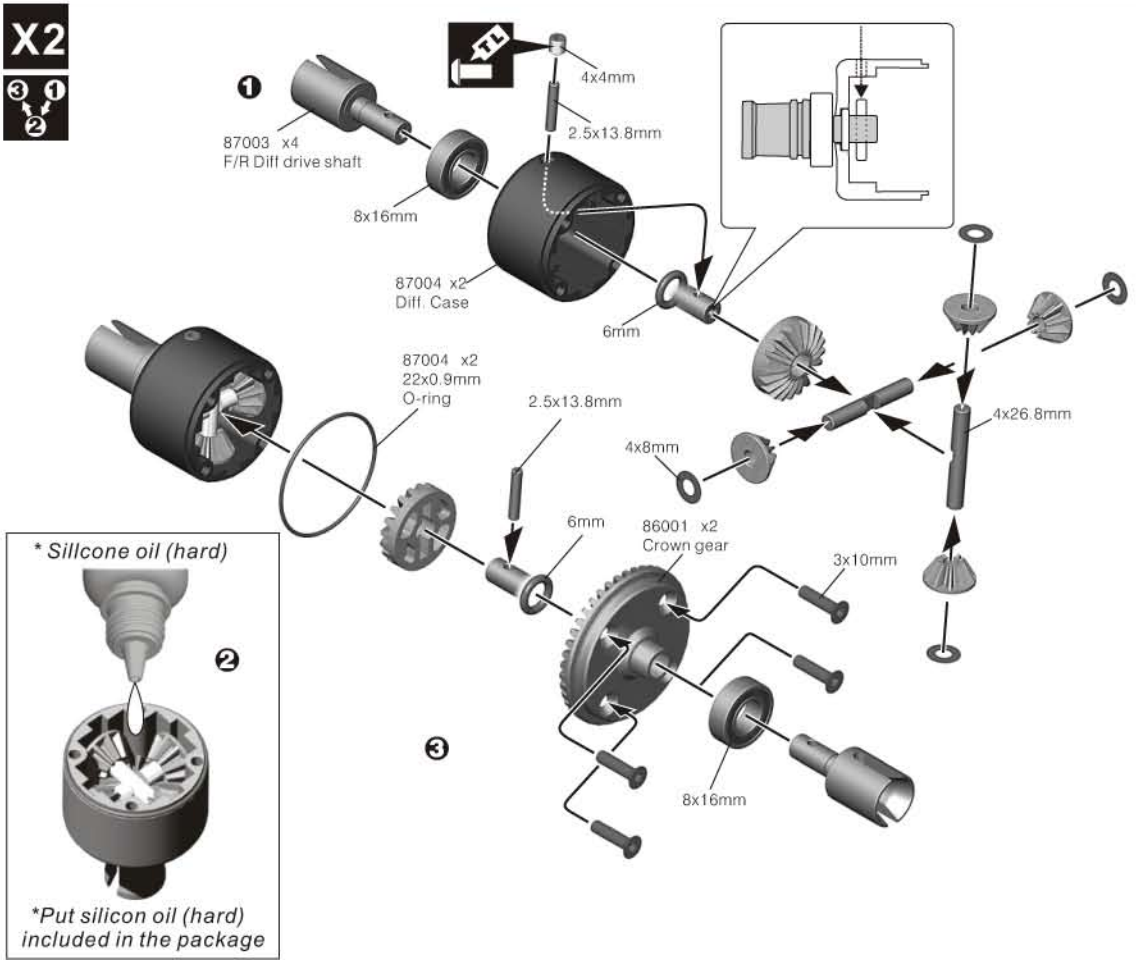


Glow plug wrench



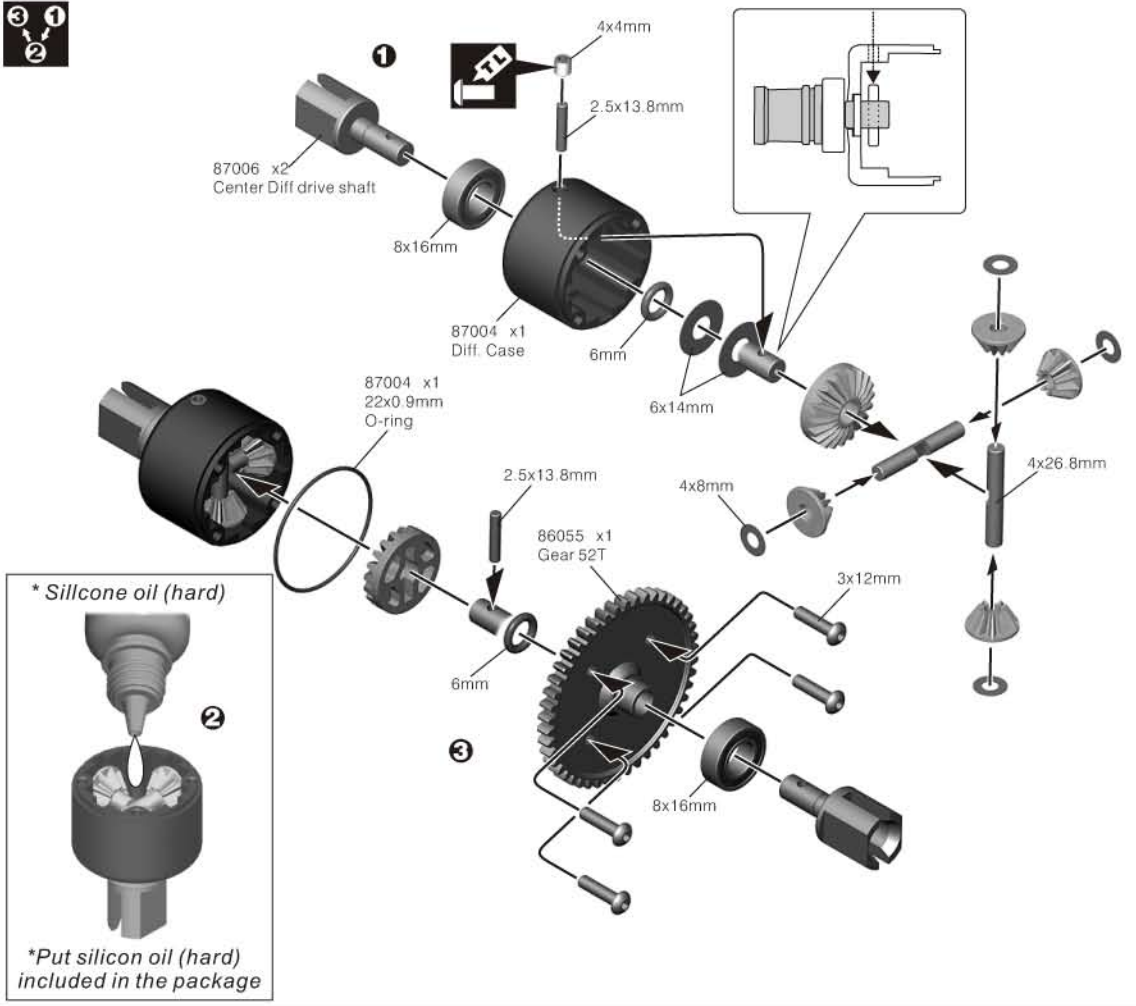
1 Assembly of Front / Rear Diff.

-  84076 x4
8x16mm
Ball bearing
-  87003 x4
2.5x13.8mm
Shaft
-  87002 x4
4x26.8mm
Shaft
-  87004 x4
6mm
O-ring
-  87002 x8
4x8mm
Washer
-  87002 x8
Small bevel gear
-  87002 x4
Large bevel gear
-  38404 x2
4x4mm
Set screws
-  31312 x8
3x12mm
F/H screw




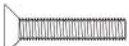
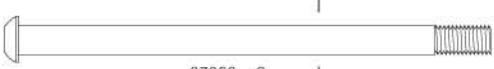


2 Assembly of Center Diff.

-  84076 x2
8x16mm
Ball bearing
-  87006 x2
2.5x13.8mm
Shaft
-  87002 x2
4x26.8mm
Shaft
-  87004 x2
6mm
O-ring
-  87002 x4
4x8mm
Washer
-  87005 x2
6x14mm
Washer
-  87002 x4
Small bevel gear
-  87002 x2
Large bevel gear
-  38404 x1
4x4mm
Set screws
-  33312 x4
3x12mm
screws



3 Assembly of Front Gear Box

	38504 x1 5x4mm Set screw
	84076 x2 8x16mm Ball bearing
	87023 x2 4mm Nylon nut
	31316 x1 3x16mm F/H screws
	87023 x2 4x62.5mm screws

86002 x1
Drive pinion gear

5x4mm

87021 x1
Center joint cup

8x16mm

87023 x1
Gear box

86004 x1
Front lower arms holder


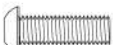
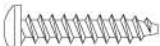
87023 x1
Gear box

87029M x1
Front lower arms holder

4x62.5mm

4mm 3x16mm

4 Assembly of Front Shock Stay

	87023 x2 4x37.5mm screws
	33412 x2 4x12mm screws
	33418T x4 4x18mm TP screws

4x12mm

86006 x1
Front shock stay


86005 x1
Front suspension arms holder

4x18mm

4x37.5mm

Notice the required position

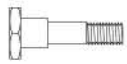
5 Assembly of the Front Diff. onto Chassis

	31418 x2 4x18mm F/H screws
--	----------------------------------

86044 x1
Chassis

4x18mm

6 Assembly of Steering Servo Saver Arms



86017 x2
Steering pin



87060 x4
6x10mm
bushing



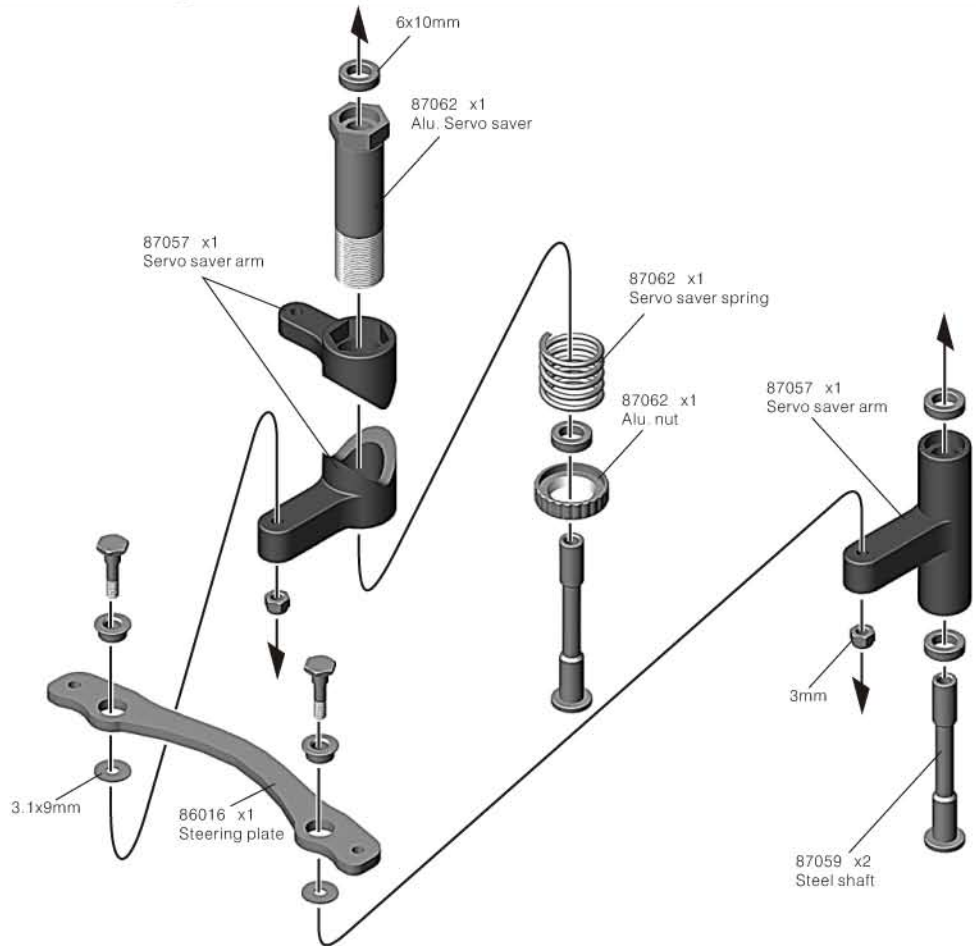
86017 x2
steel collar



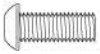
39008 x2
3mm
Nylon nut



86017 x2
3.1x9mm
washer



7 Assembly of Steering System onto Chassis



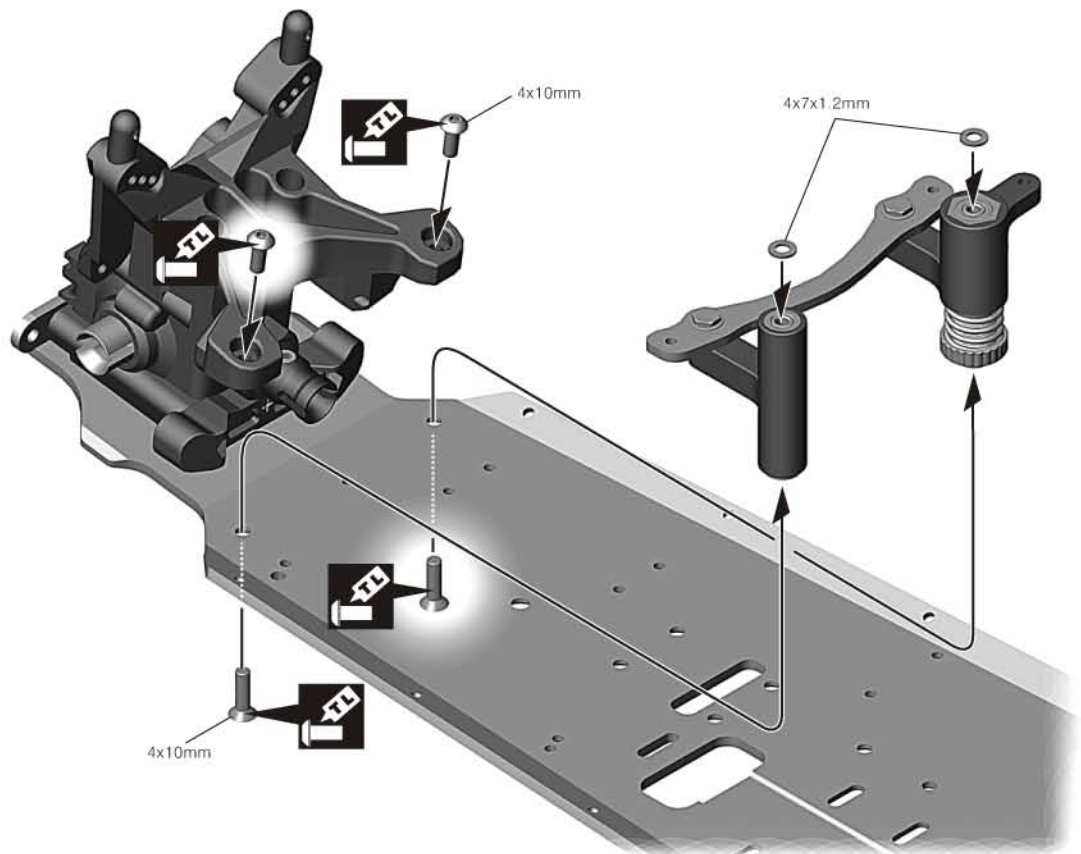
33410 x2
4x10mm
screws



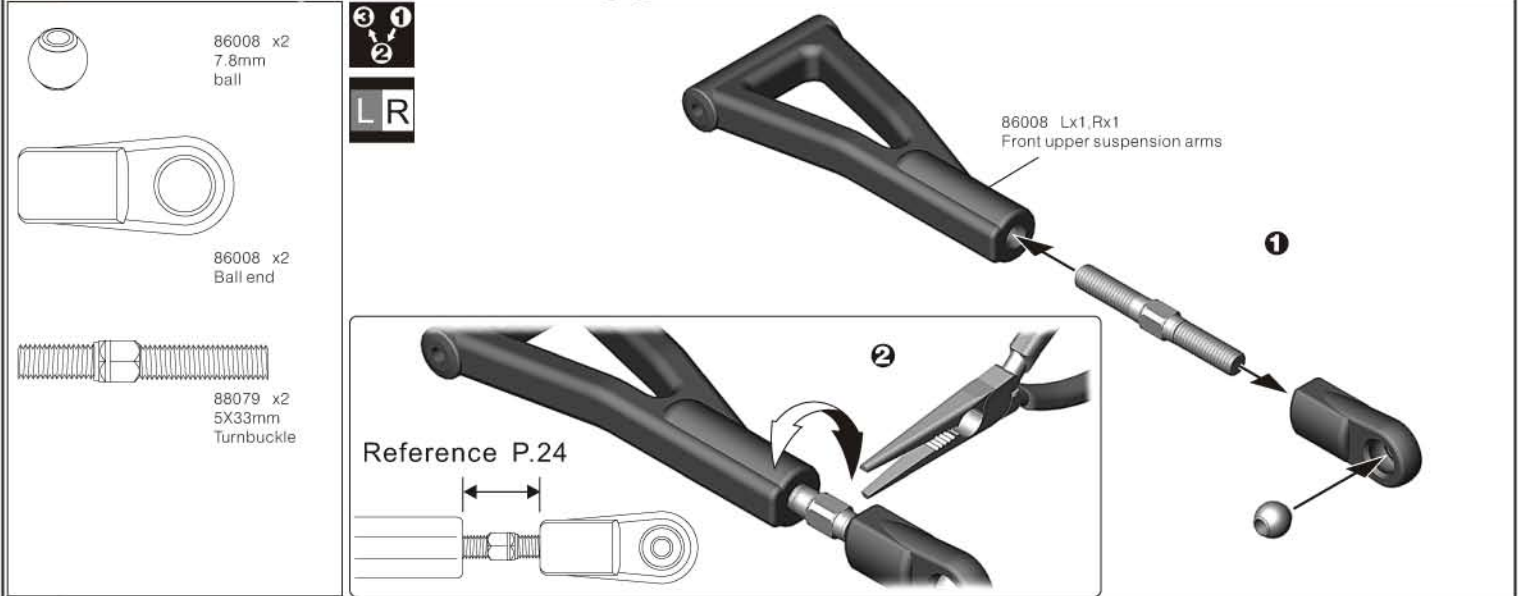
31410 x2
4x10mm
F/H screws



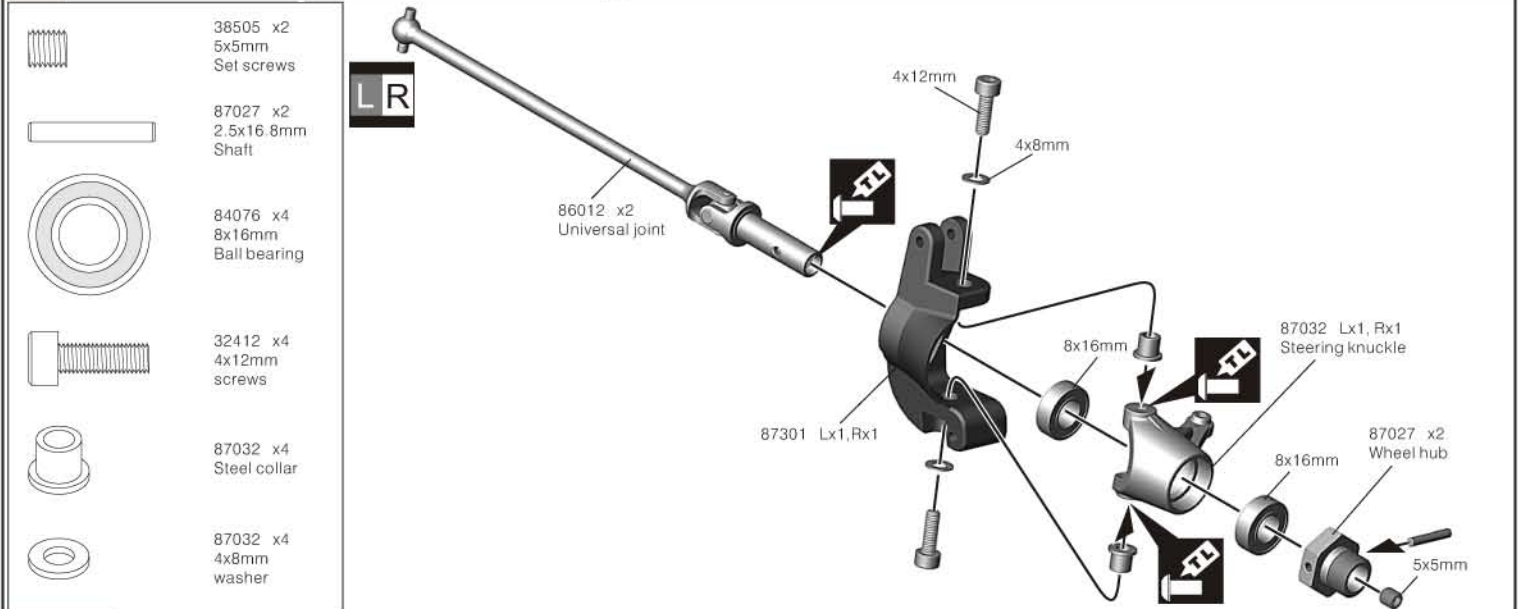
86017 x2
4x7x1.2mm
washer



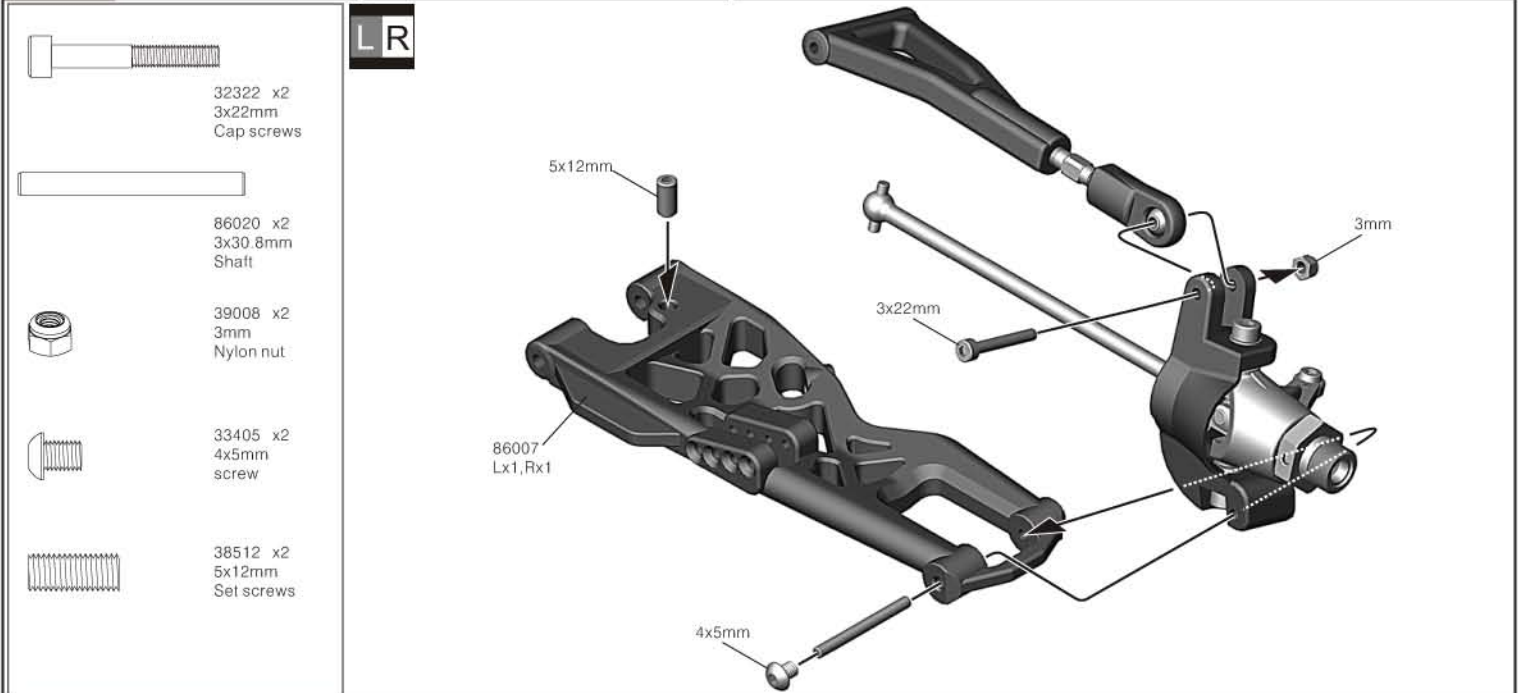
8 Assembly of Front Upper Arms









9 Assembly of Steering Knuckle

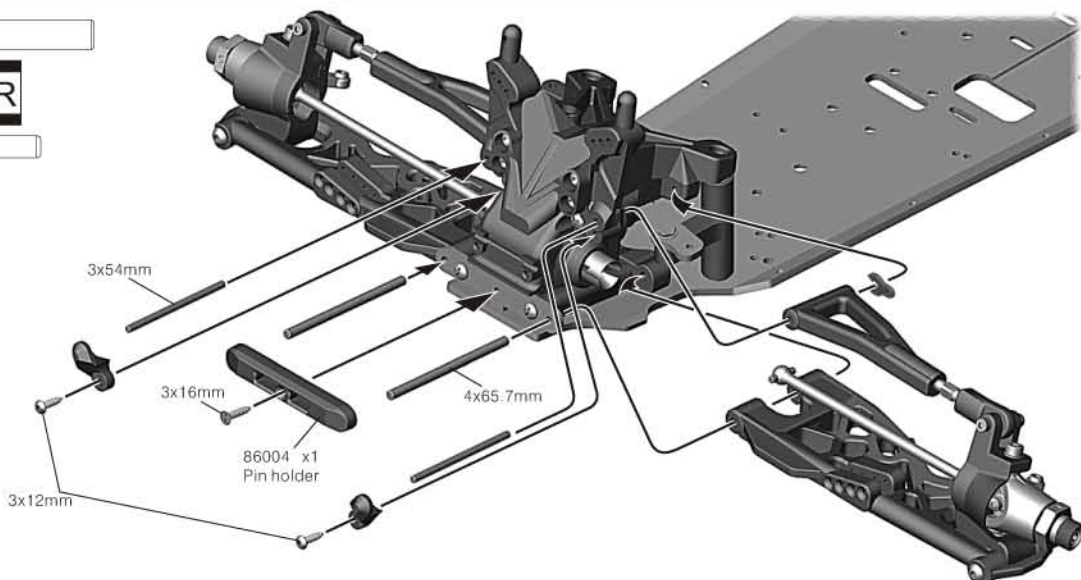


10 Assembly of Front Suspension Arms





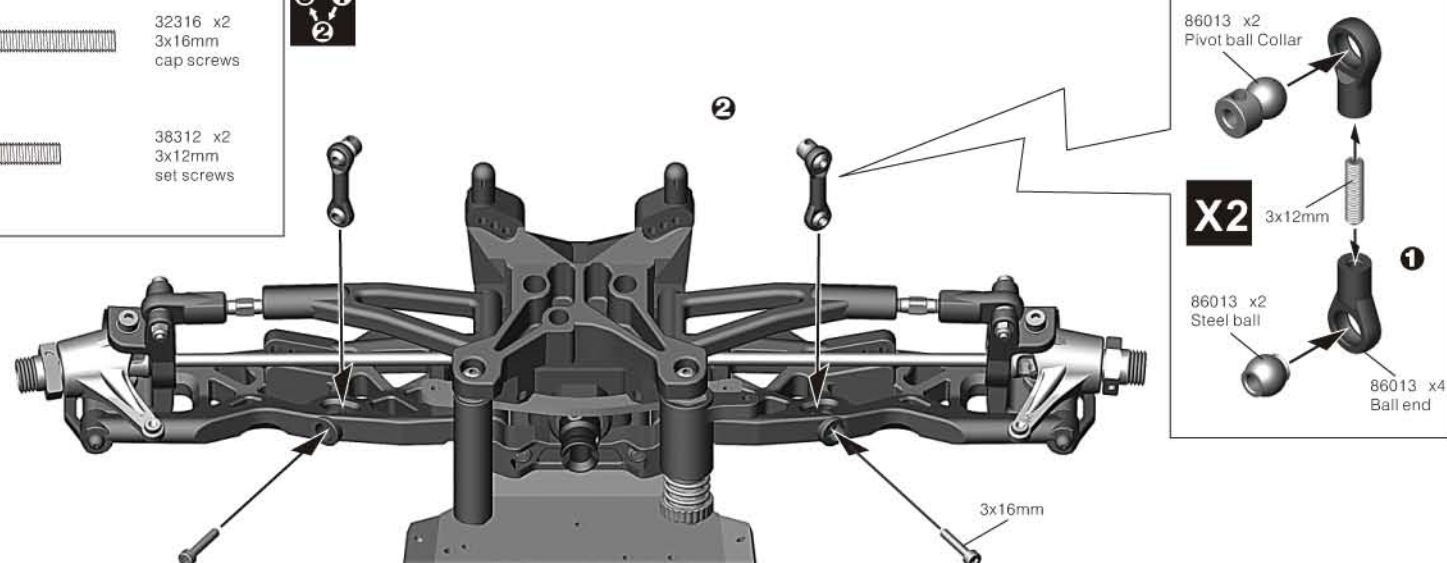
11 Assembly of Front Suspension Arms

	86011 x2 4x65.7mm Shaft	LR
	86020 x2 3x54mm Shaft	
	86009 x2 1.5mm	
	31316 x1 3x16mm F/H screws	
	33312T x2 3x12mm TP screws	
	86006 Lx1,Rx1 Front upper suspension shaft bolt	







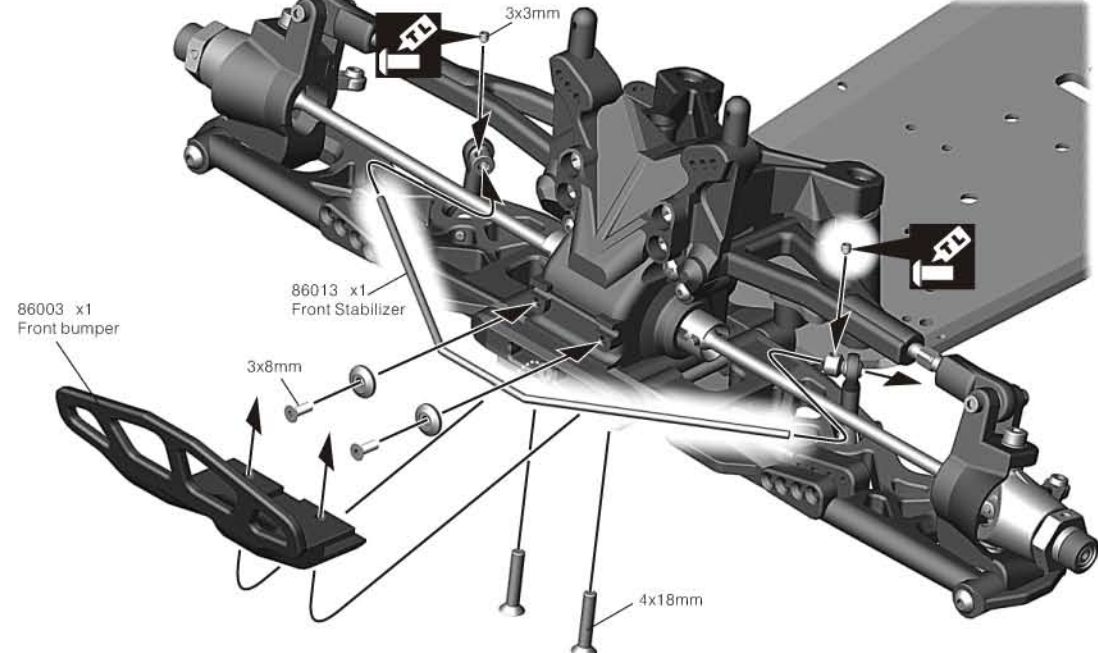
12 Assembly of the Front Stabilizer

	32316 x2 3x16mm cap screws	3 1
	38312 x2 3x12mm set screws	2




13 Assembly of Front Bumper

	31418 x2 4x18mm F/H screws	
	31308 x2 3x8mm F/H screws	
	86013 x2 Alum collar	
	38303 x2 3x3mm set screws	

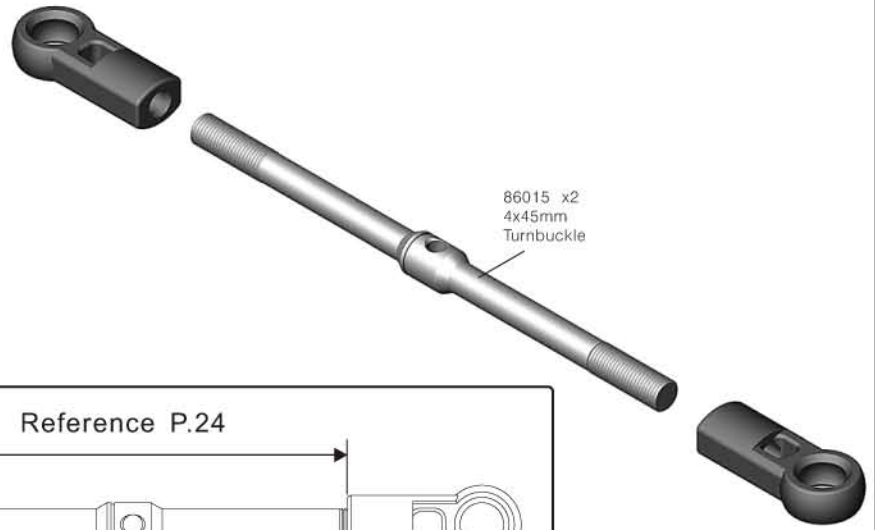


14 Assembly of Steering Rod




87055 x4
Steering ball end


X2




15 Assembly of Steering Rod



86017 x2
3mm
Nylon nut

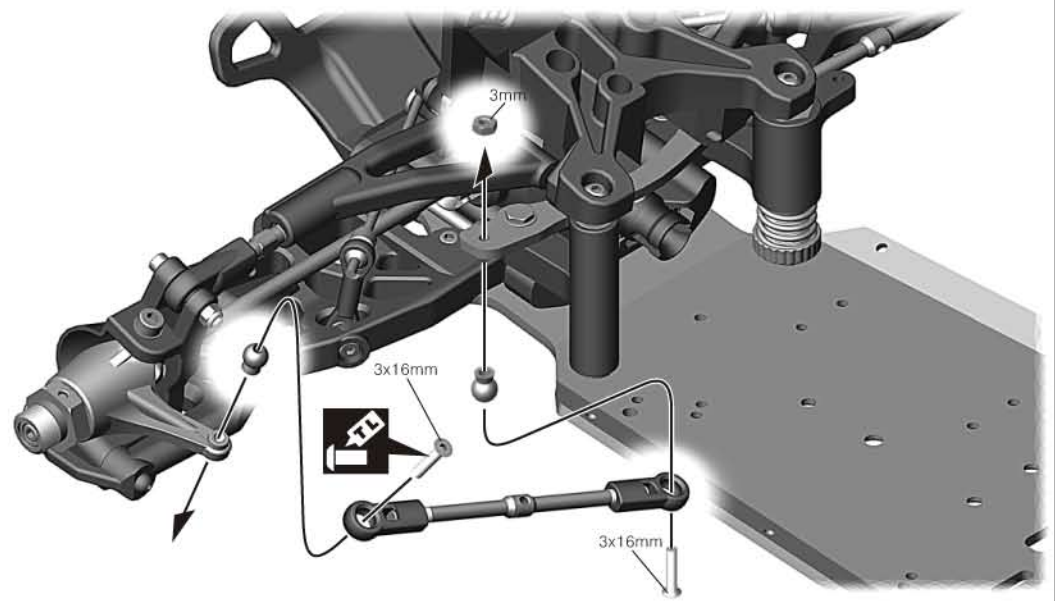


87055 x4
6.8mm
Ball




31316 x4
3x16mm
screws


LR




16 Assembly of Rear Gear Box




84076 x2
8x16mm
Ball bearing



31316 x1
3x16mm
screws

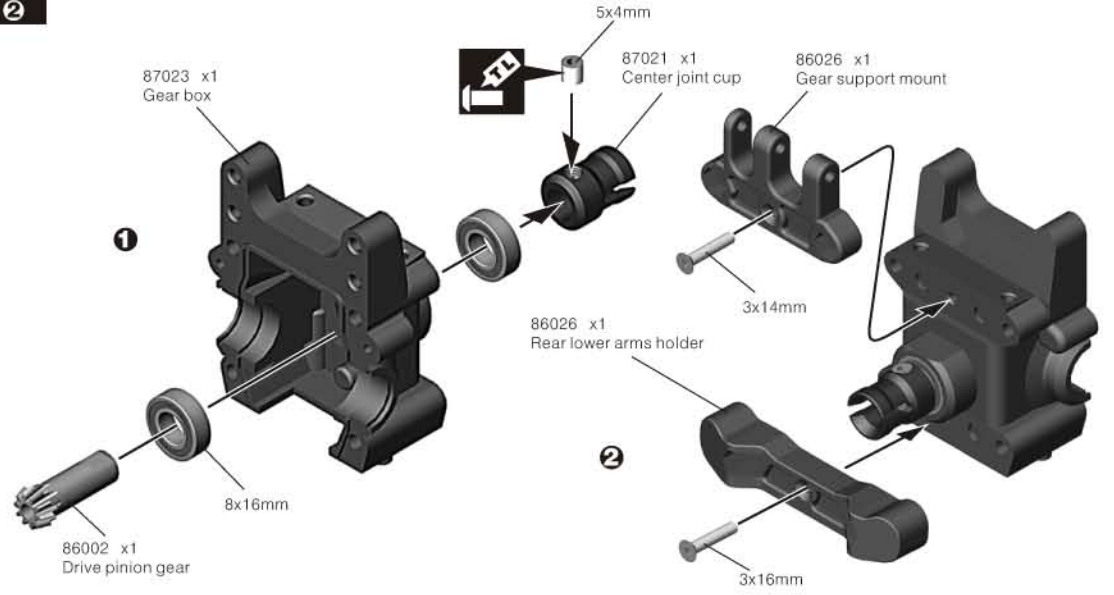


31314 x1
3x14mm
F/H screws

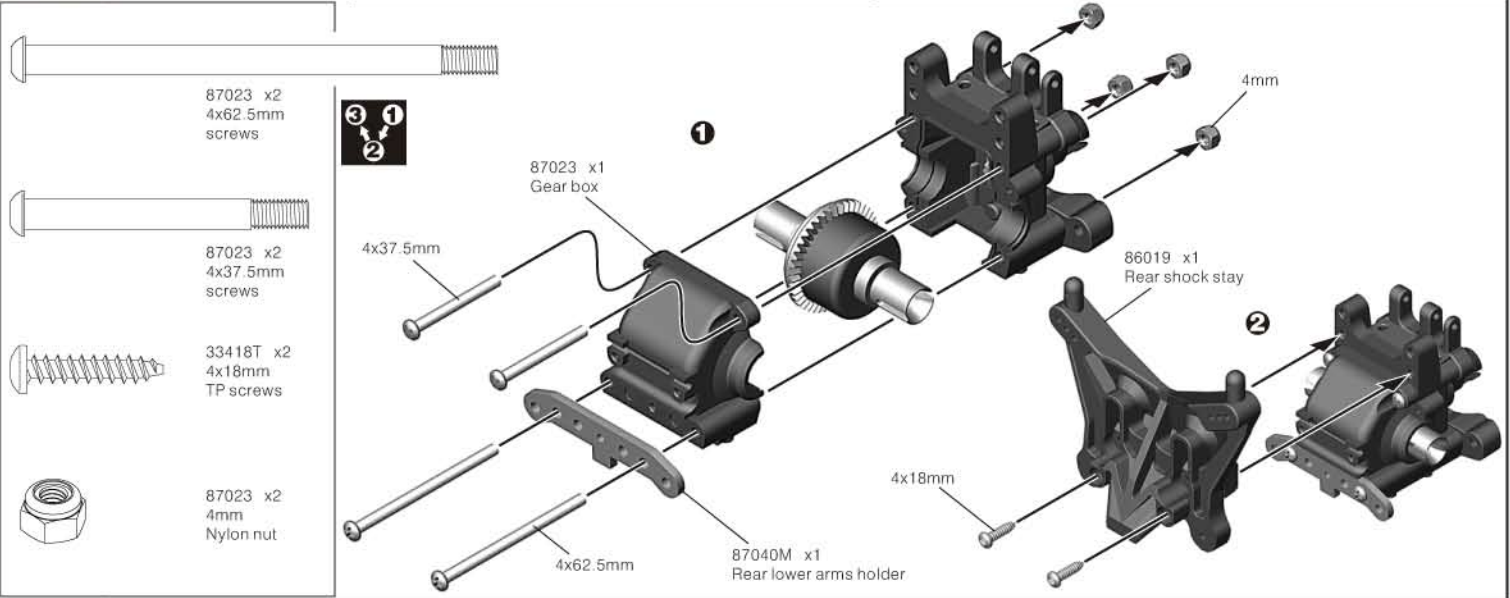


38504 x1
5x4mm
set screws

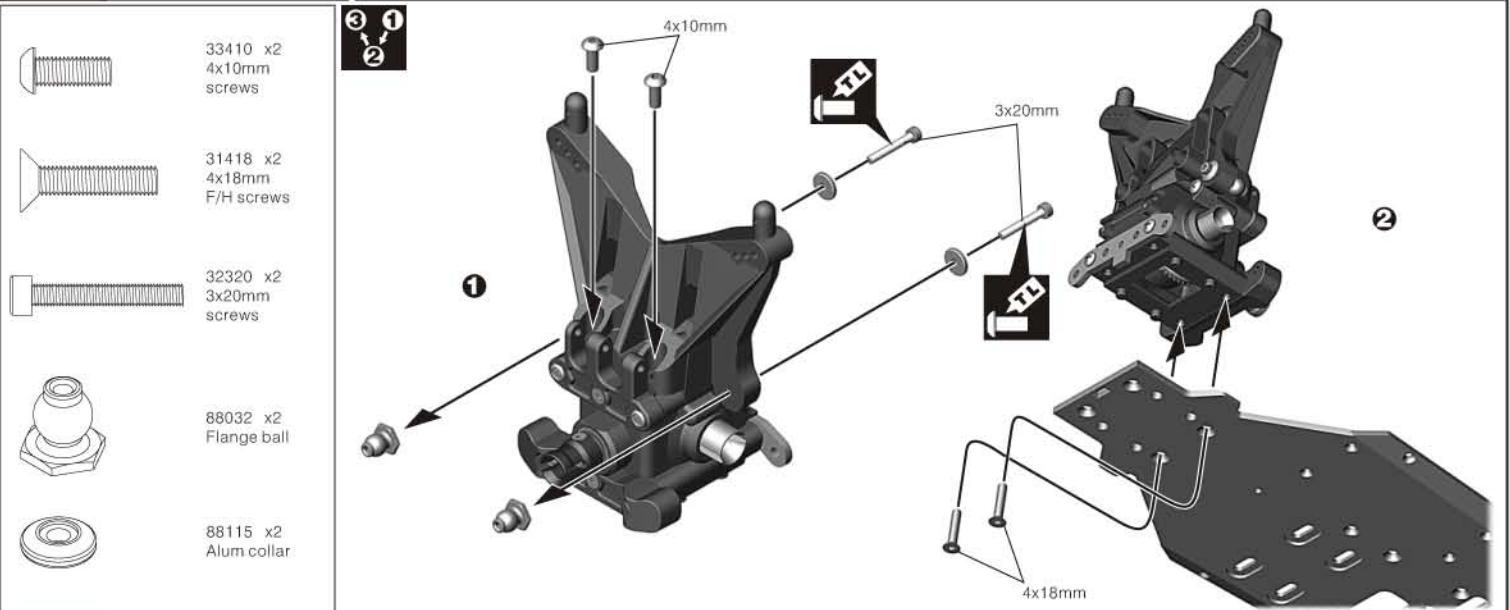
3 1 2



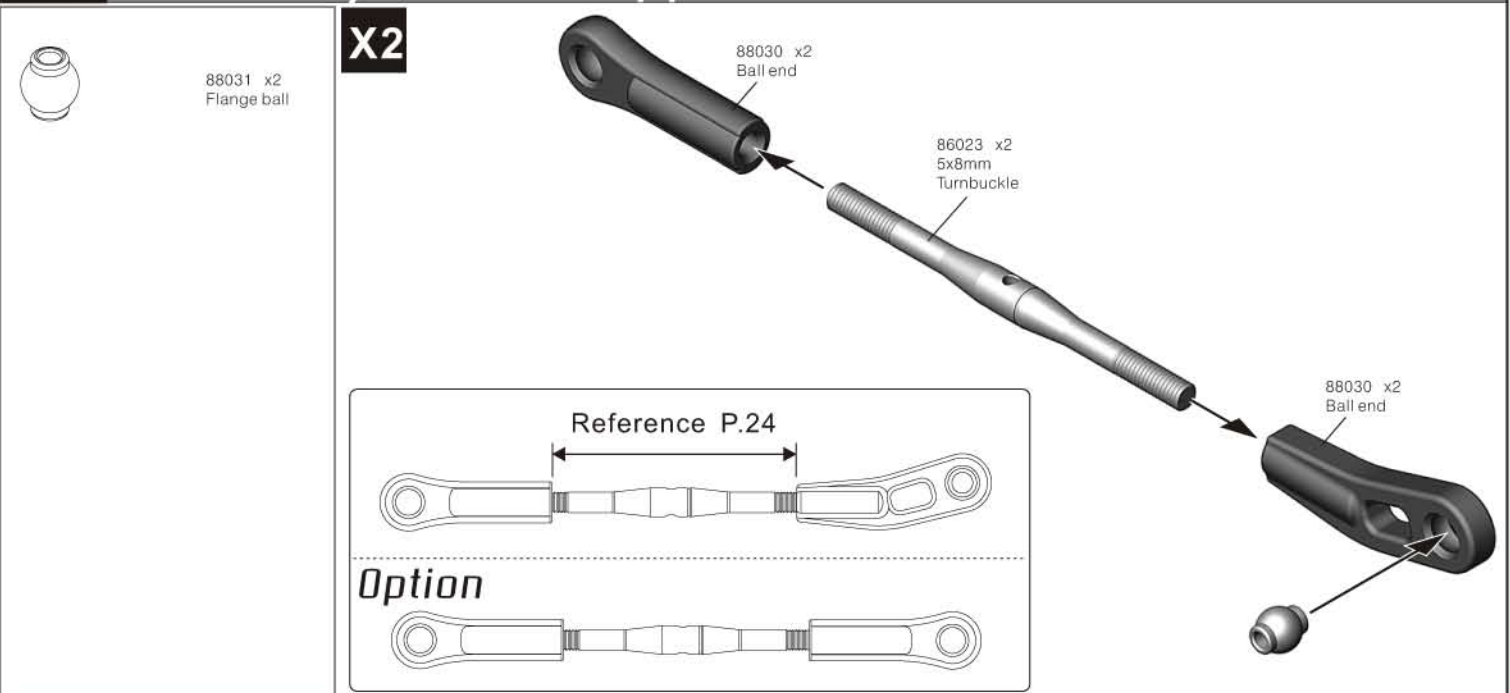
17 Assembly of Rear Shock Stay



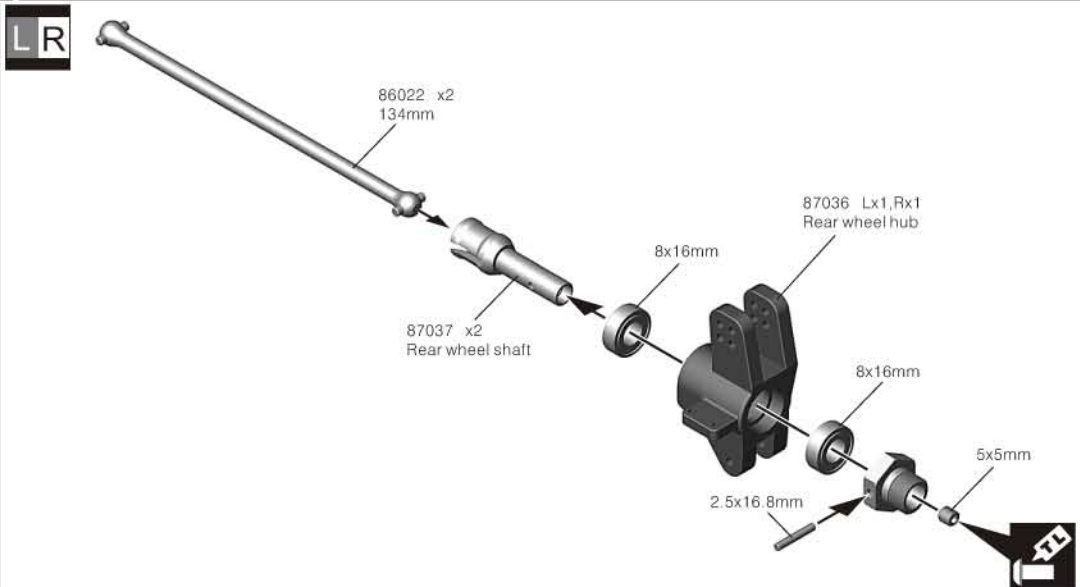
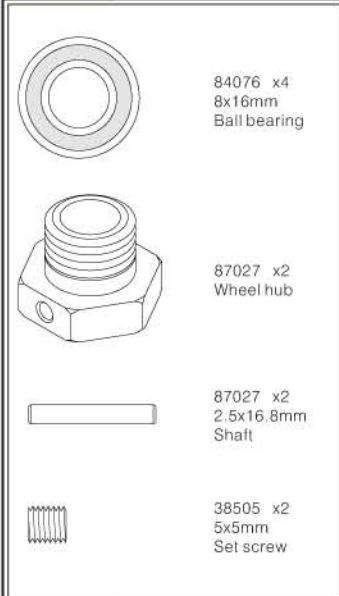
18 Assembly of the Rear Diff. onto Chassis



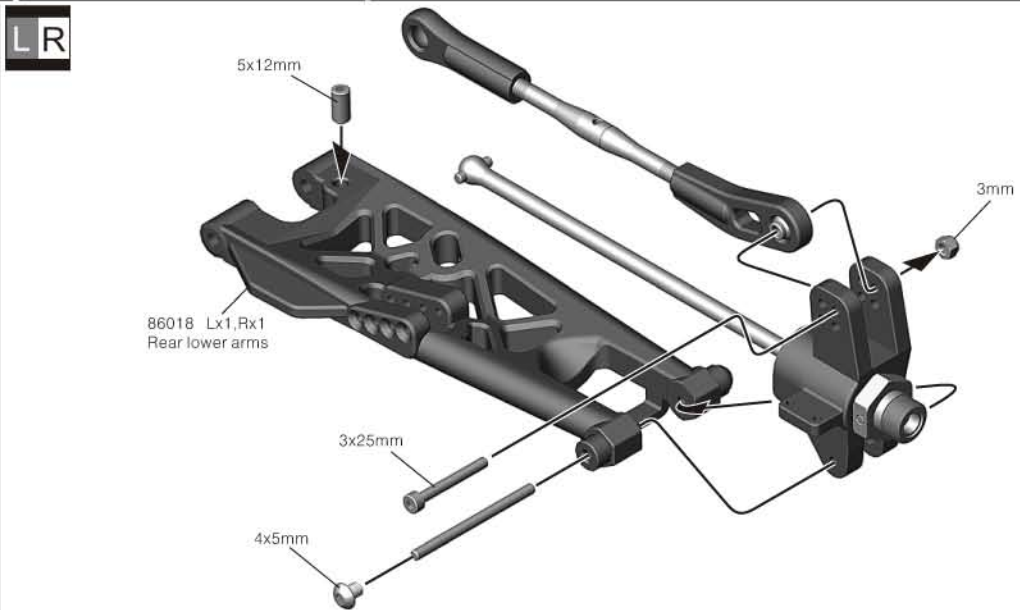
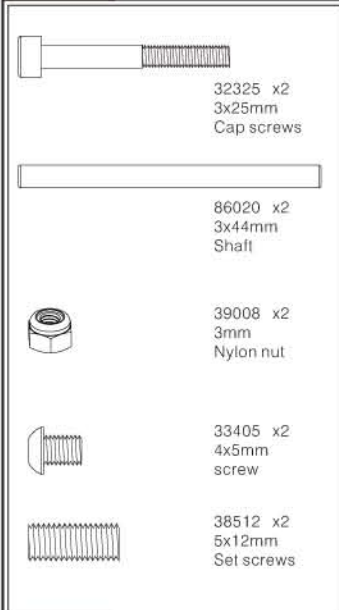
19 Assembly of Rear Upper Arms



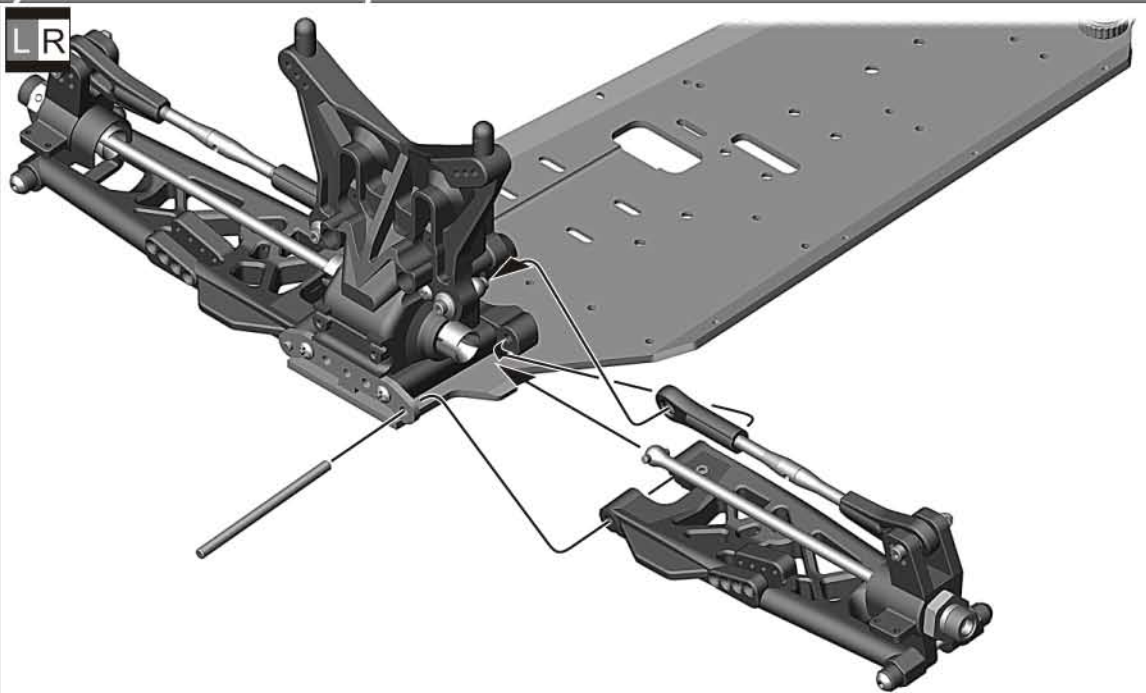
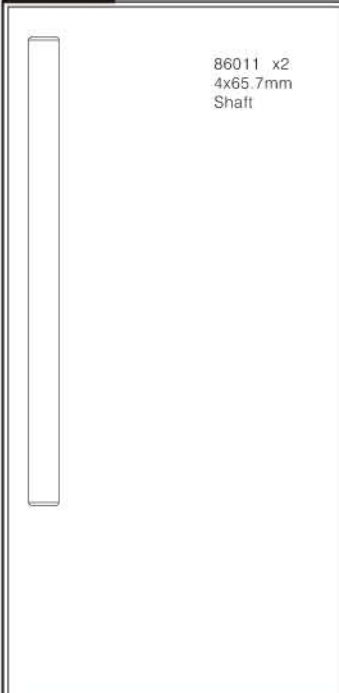
20 Assembly of Rear Universal Joint Shaft



21 Assembly of Rear Suspension arms



22 Assembly of Rear Suspension arms



23 Assembly of Rear Stabilizer

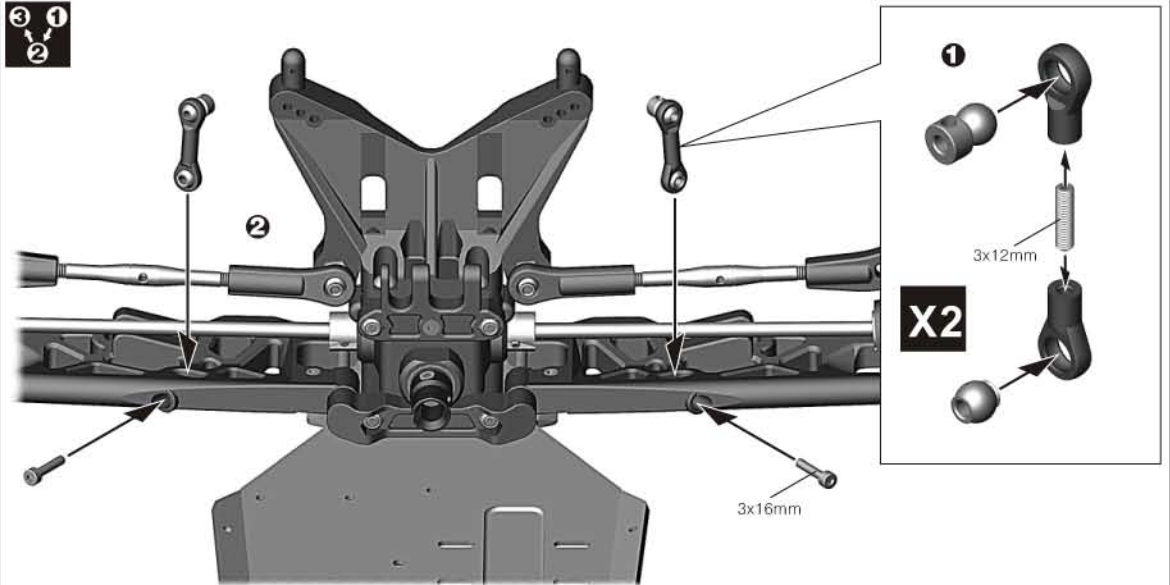
32315 x2
3x16mm
cap screws

38312 x2
3x12mm
set screws

86025 x4
Ball end

86025 x2
Pivot ball Collar

86025 x2
Steel ball



24 Assembly of Rear Stabilizer

Assembly of Rear Bumper

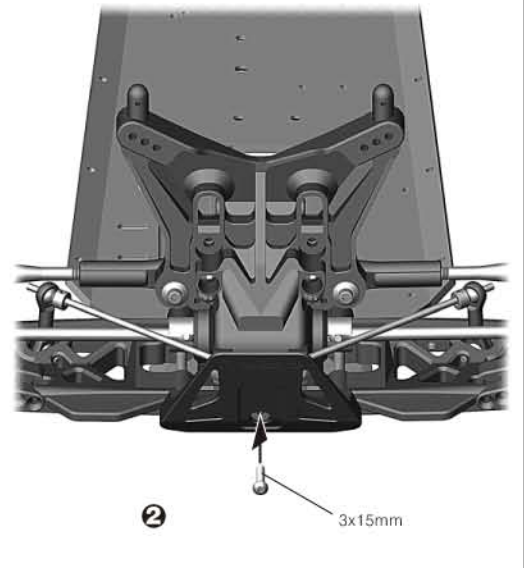
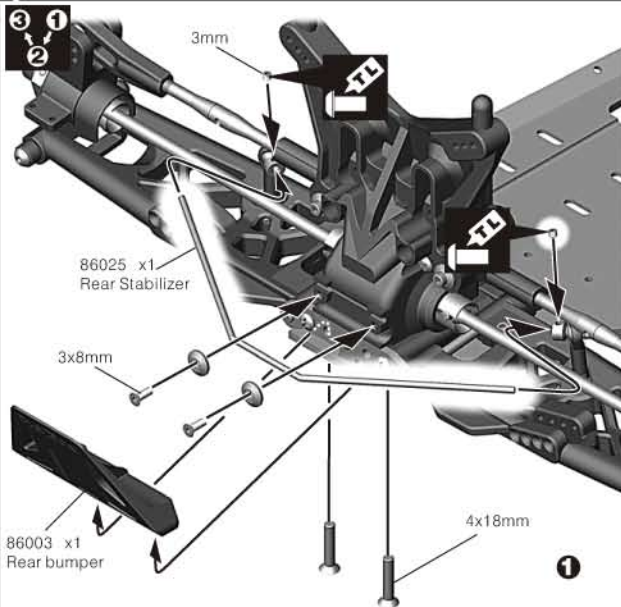
33315 x1
3x15mm
screws

31418 x2
4x18mm
F/H screws

31308 x2
3x8mm
F/H screws

86025 x2
Alum collar

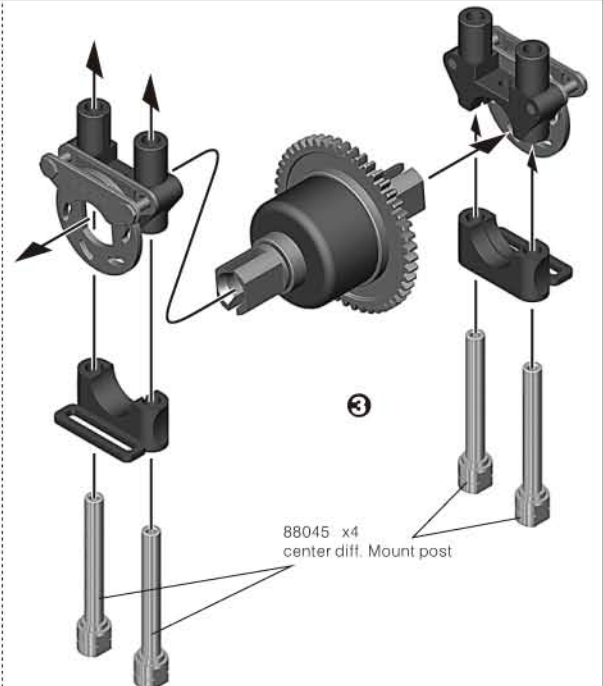
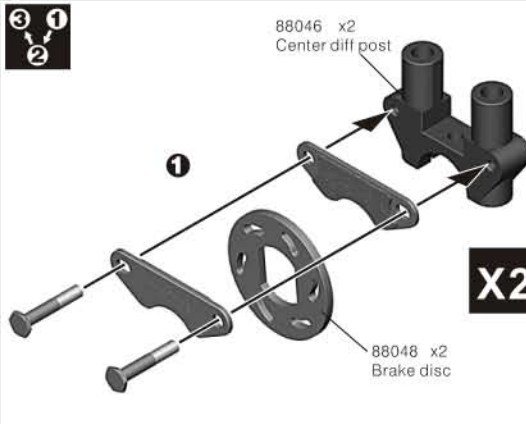
38303 x2
3x3mm
set screws



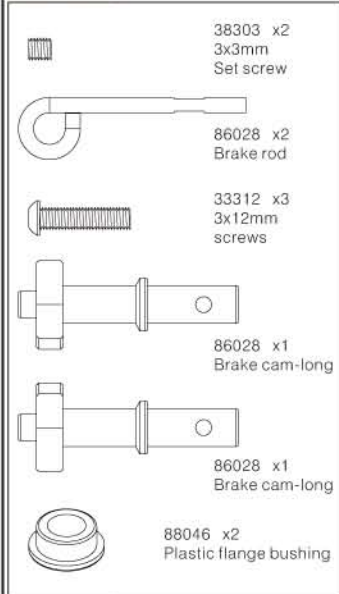
25 Assembly of The Center Gear Box

87052 x4
3x16.5mm
Hex head screw

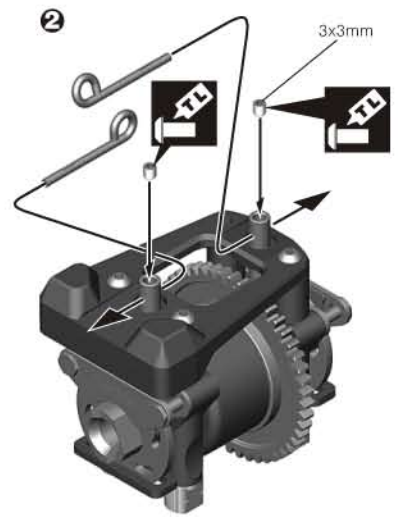
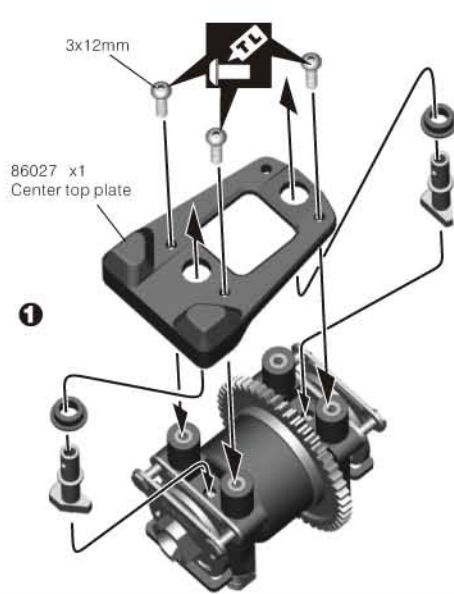
88087 x4
Brake caliper



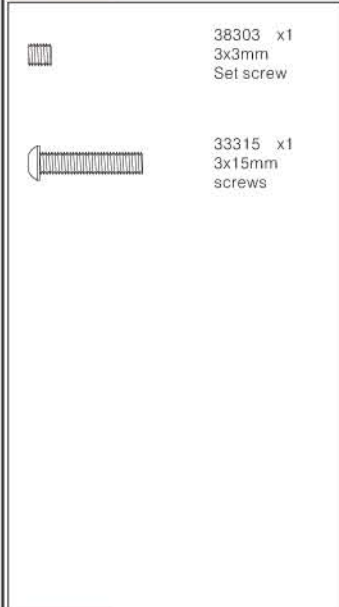
26 Assembly of Center Diff. Plate



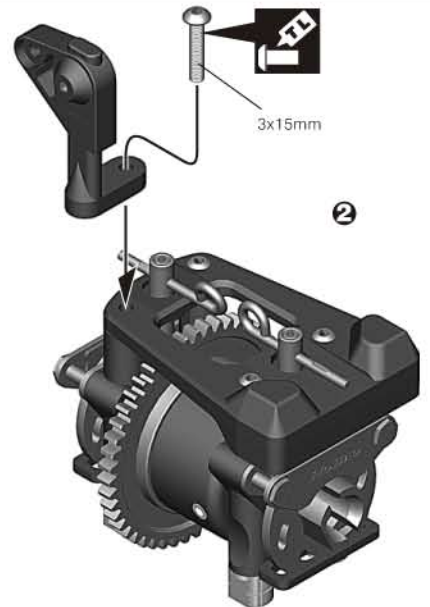
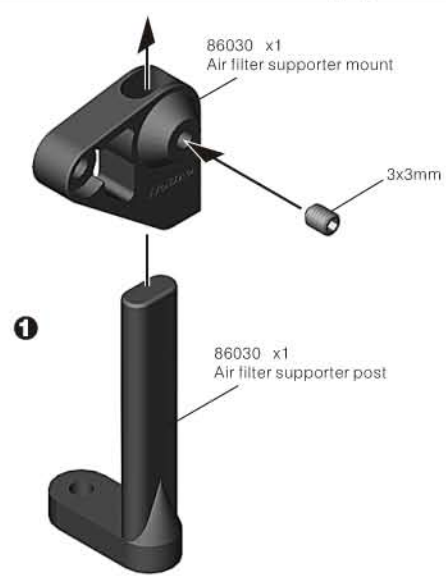
3
2
1



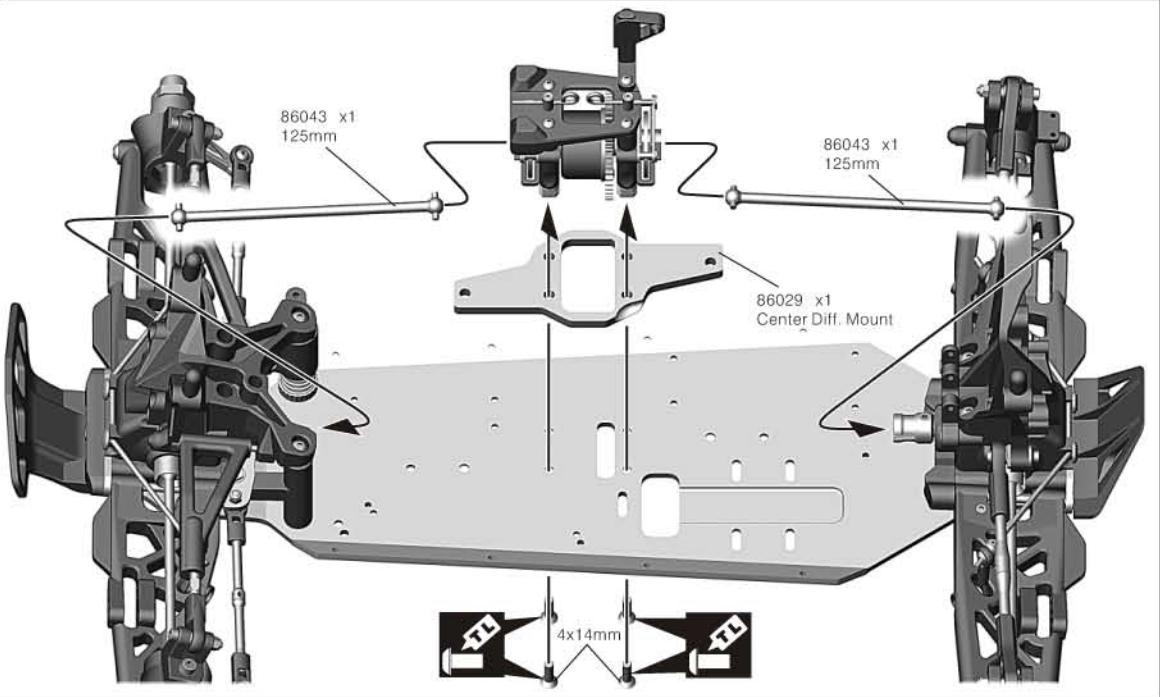
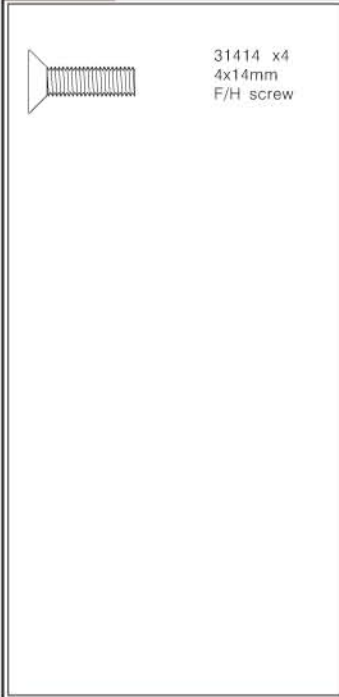
27 Assembly of Air Filter Supporter



3
2
1



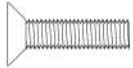
28 Assembly of the Center Gear Box onto Chassis



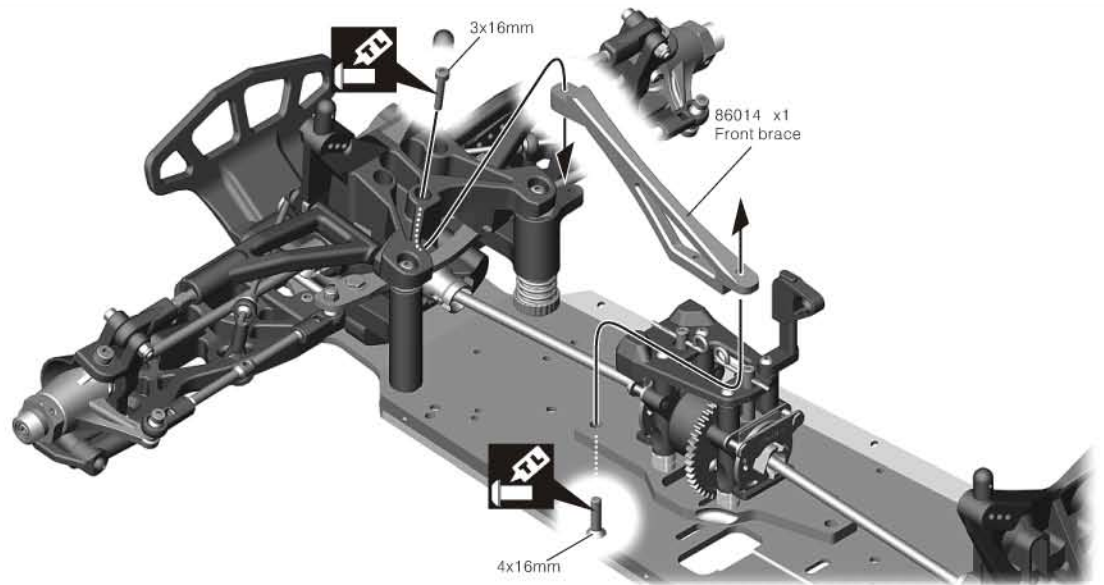
29 Assembly of Front Brace



32316 x1
3x16mm
Cap screw



31416 x1
4x16mm
F/H screw



30 Assembly of Wing Stay



87046 x3
wing support



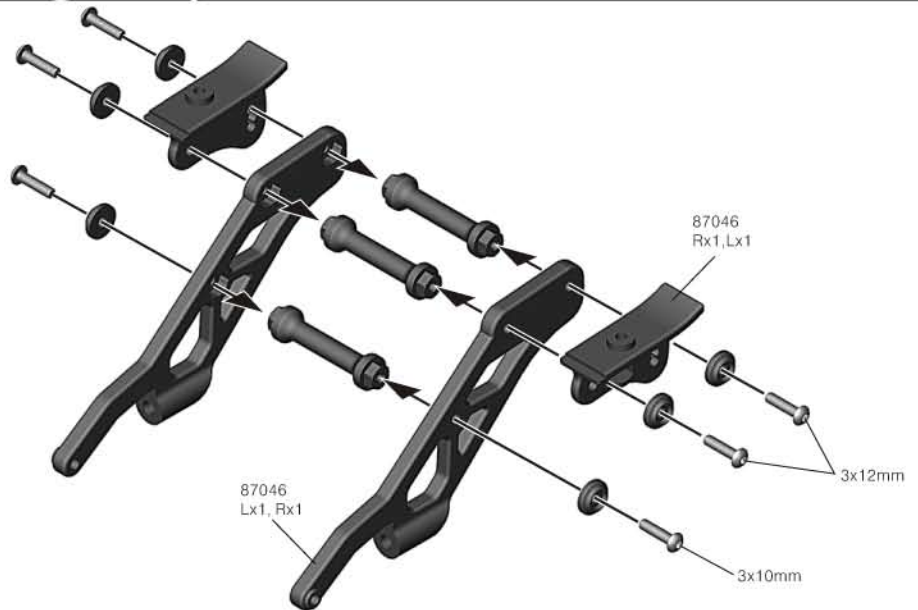
87046 x6
Plastic Washer



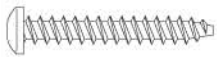
33310T x2
3x10mm
Tapping screw



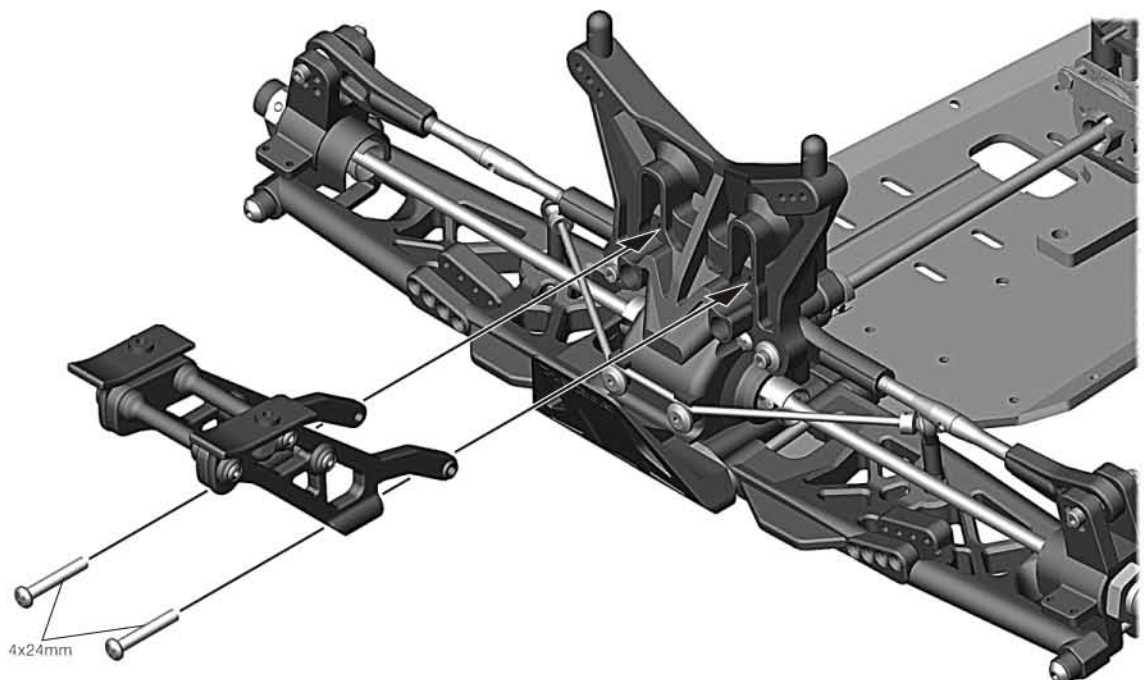
33312T x4
3x12mm
Tapping screw



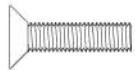
31 Assembly of Wing Stay



33424T x2
4x24mm
Tapping screw



32 Assembly of Rear Brace



31416 x1
4x16mm
F/H screw



86057 x1
51.2mm
Shaft



86057 x1
Alu spacer



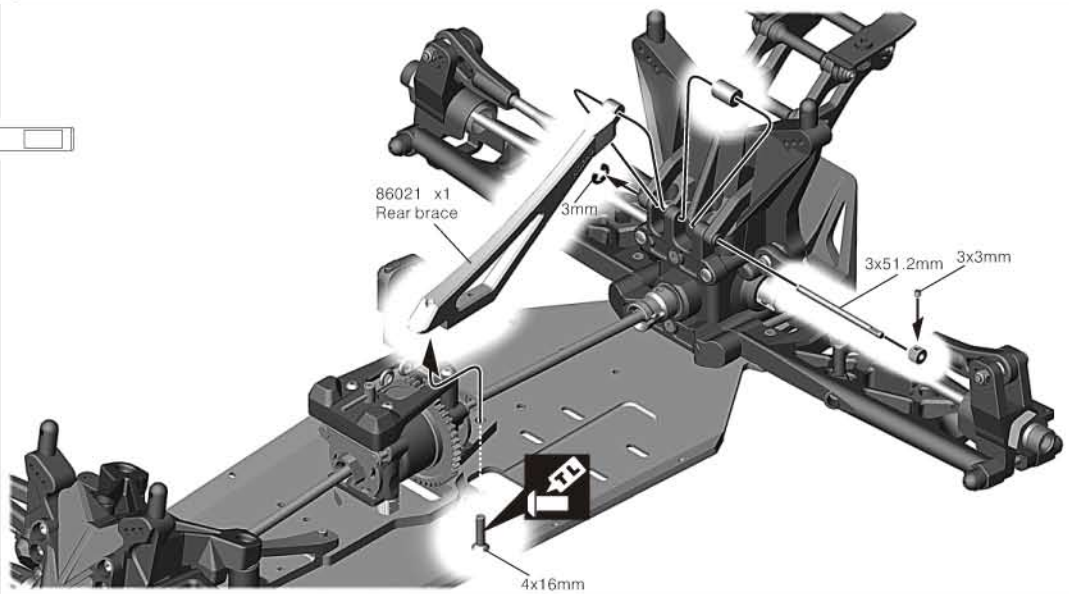
38303 x1
3x3mm
Set screw



86057 x1
Stopper



86057 x1
E-Clips



33 Assembly of Engine mount



32315 x4
3x15mm
Cap screws



86041 x4
Engine mount gasket



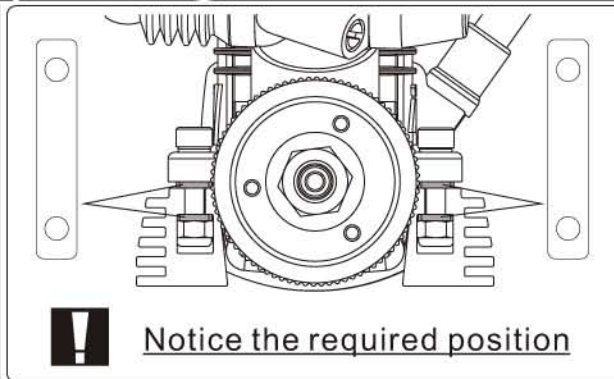
88061 x1
Collar



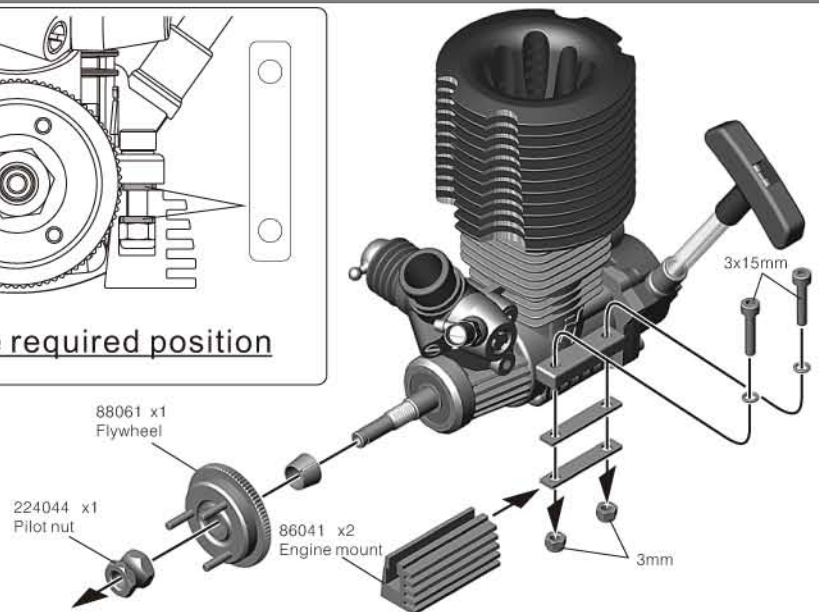
39008 x4
3mm
Nylon nut



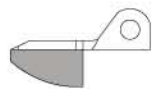
86041 x4
3.2x5x0.8mm
Washer



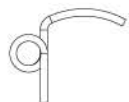
LR



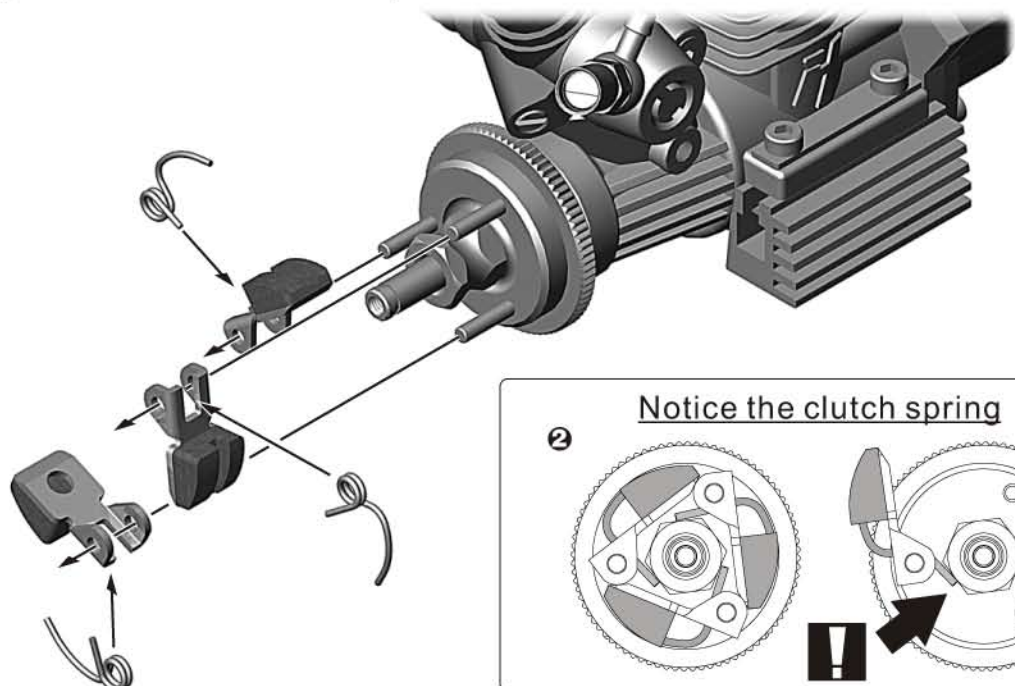
34 Assembly of Clutch-Step-1



86058 x3
New Clutch shoe



86059 x3
Clutch spring



35 Assembly of Clutch-Step-2



32308 x1
3x8mm
Cap screws



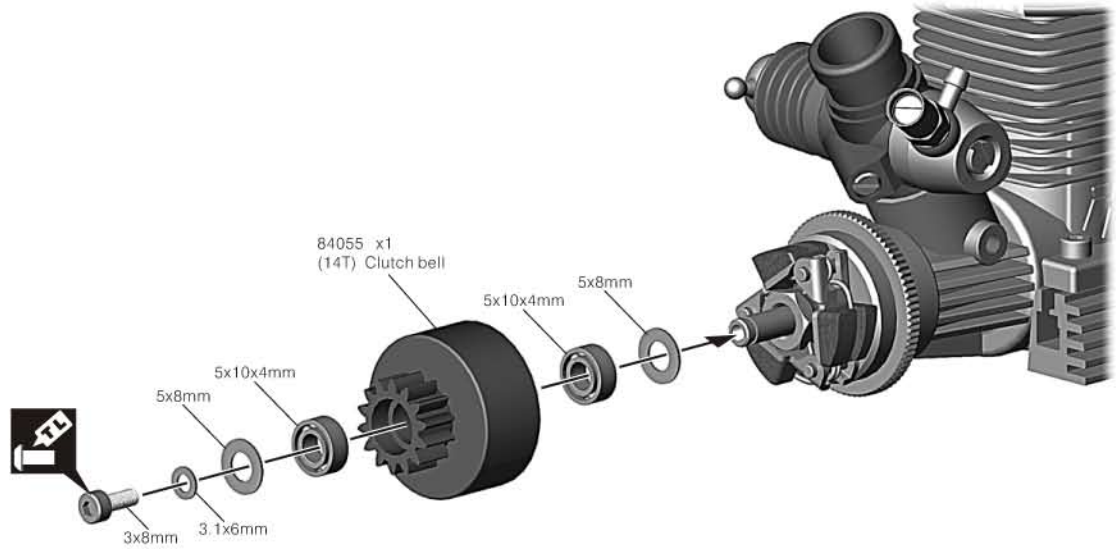
84187W x1
3.1x6mm
Washer



84187W x2
5x8mm
Washer



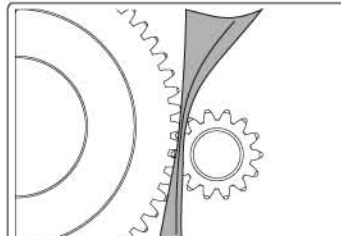
84055 x2
5x10x4mm
Bearing



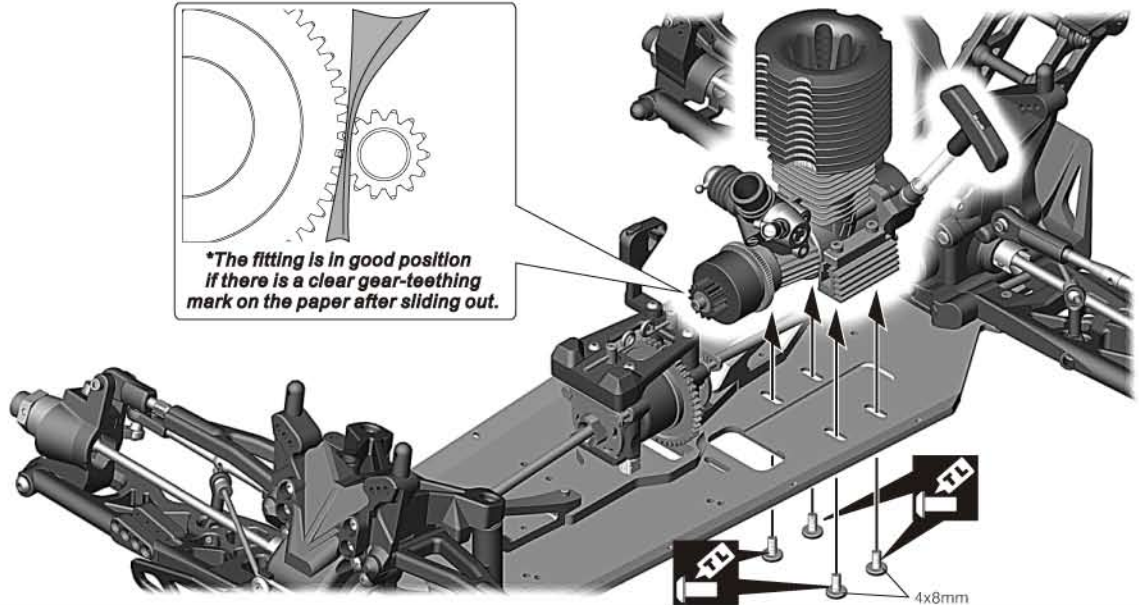
36 Assembly of Engine onto Chassis



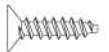
88060 x4
4x8mm
Engine screw



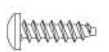
**The fitting is in good position
if there is a clear gear-teething
mark on the paper after sliding out.*



37 Assembly of Fuel Tank



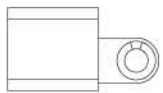
31312T x1
3x12mm
Tapping screw



33310T x1
3x10mm
Tapping screw



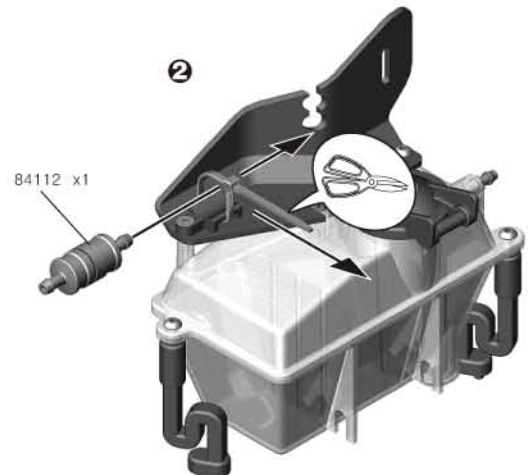
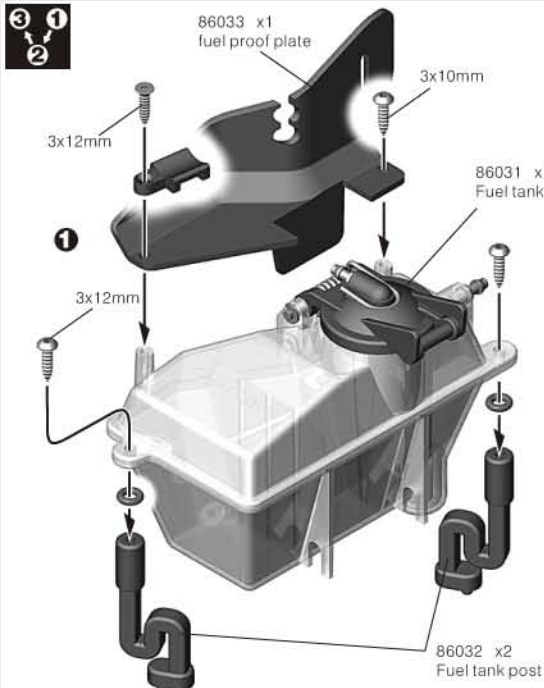
33312T x2
3x12mm
Tapping screw



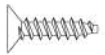
86033 x1
Fuel filter holder



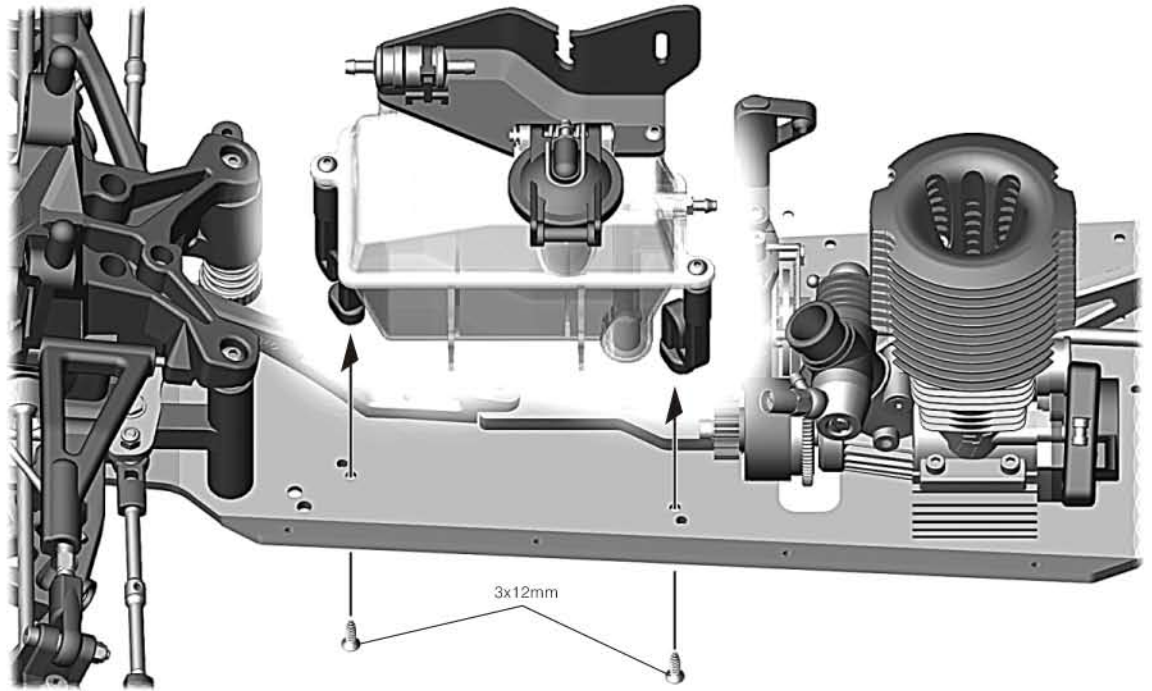
86032 x2
2.8x1.9mm
O-ring



38 Assembly of Fuel Tank onto Chassis



31312T x2
3x12mm
Tapping screw



39 Assembly of Manifold and Muffler



38404 x1
4x4mm
Set screw



38405 x1
4x5mm
Set screw

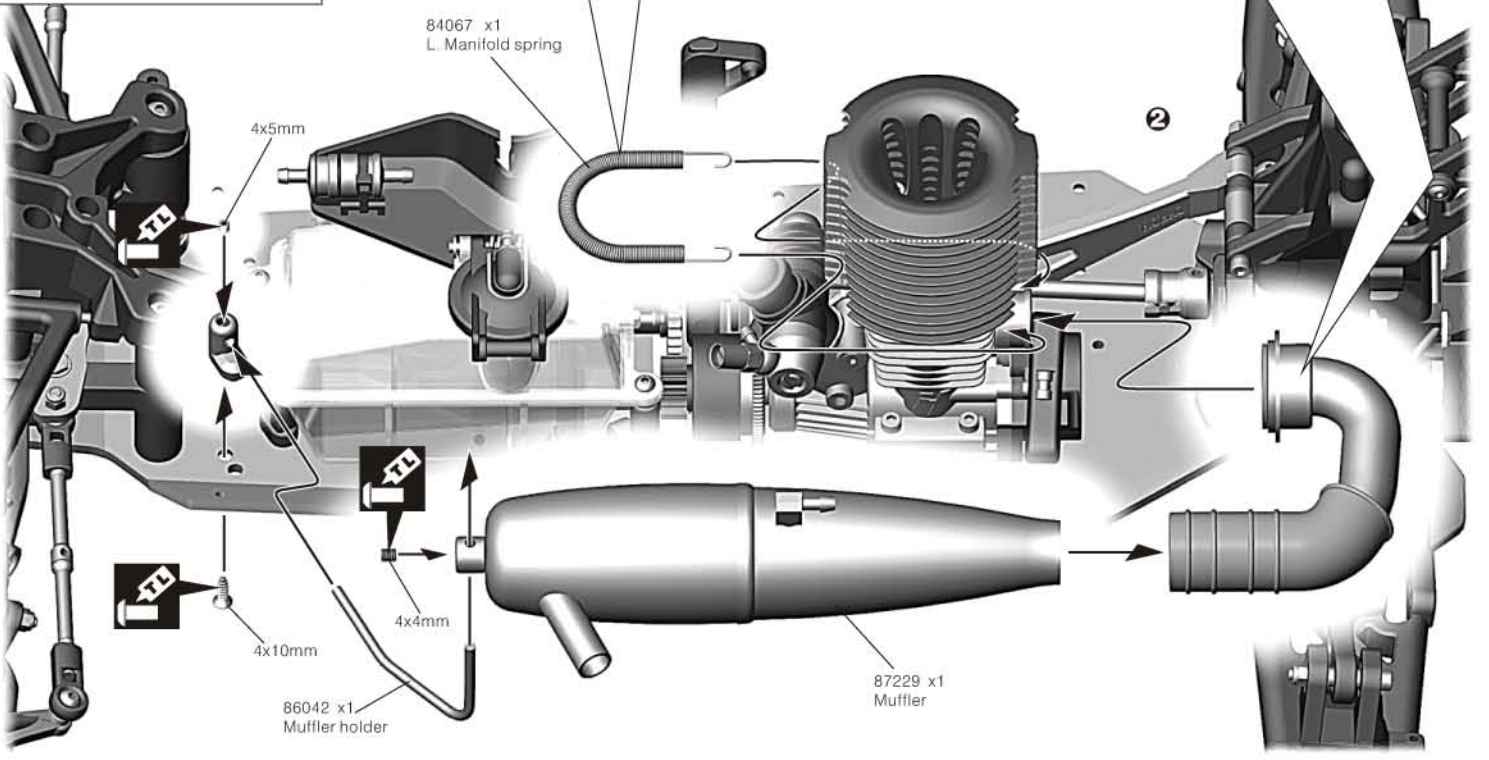
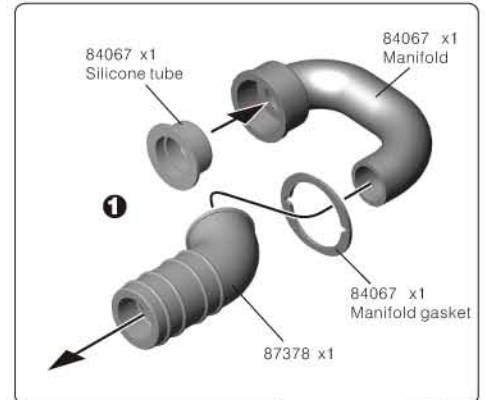
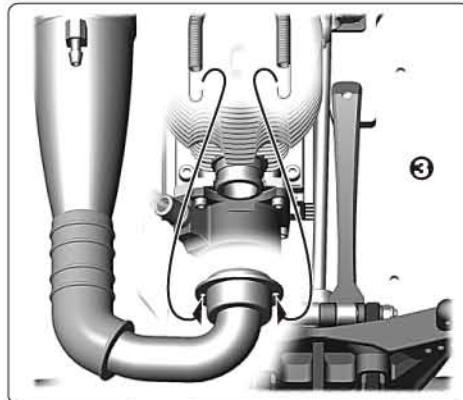


31408 x1
4x10mm
F/H screw

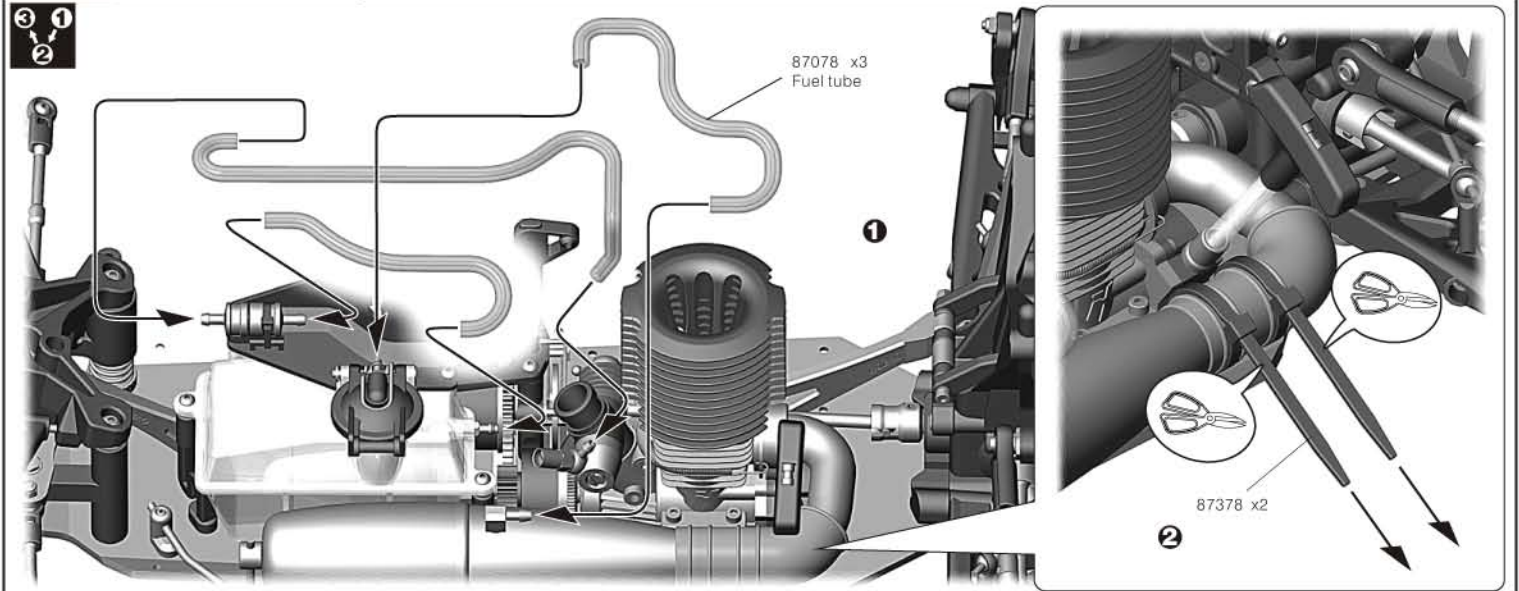


86042 x1
Muffer stay

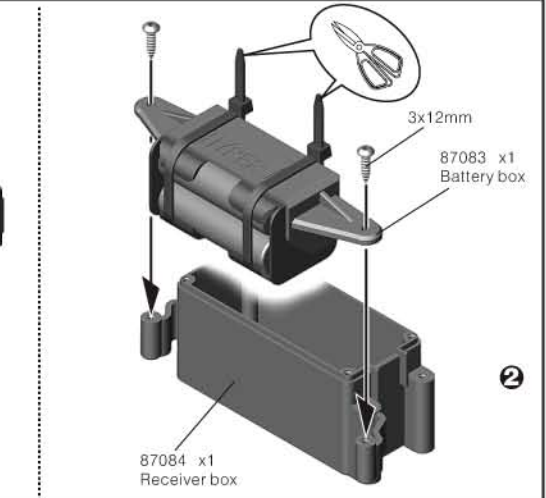
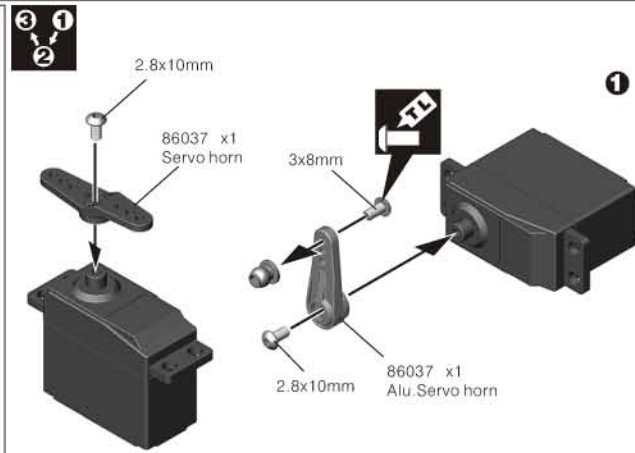
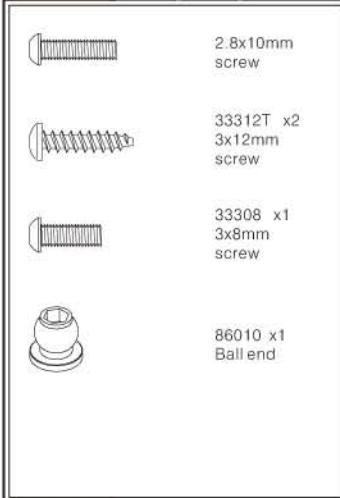
3 1 2



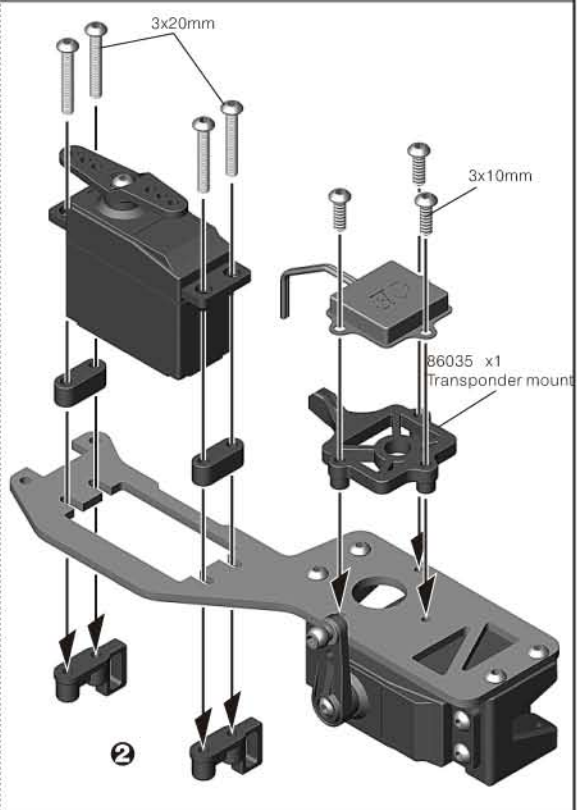
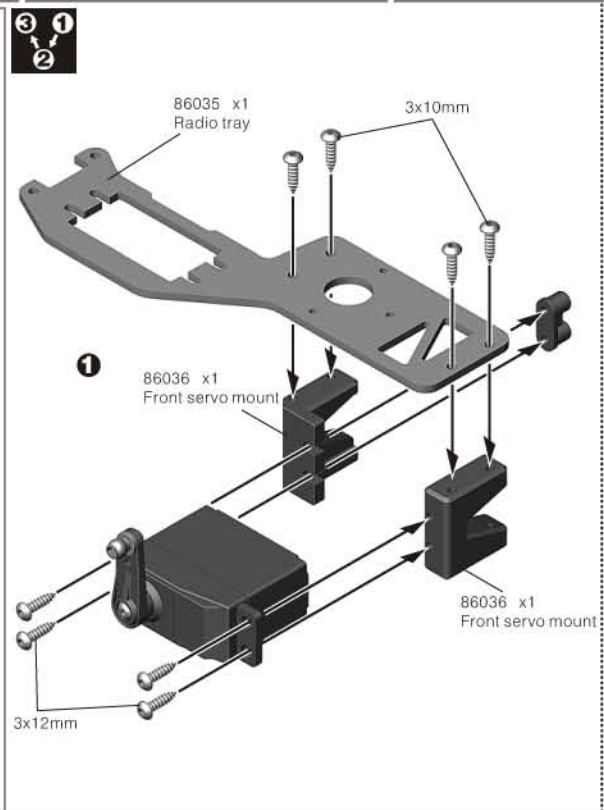
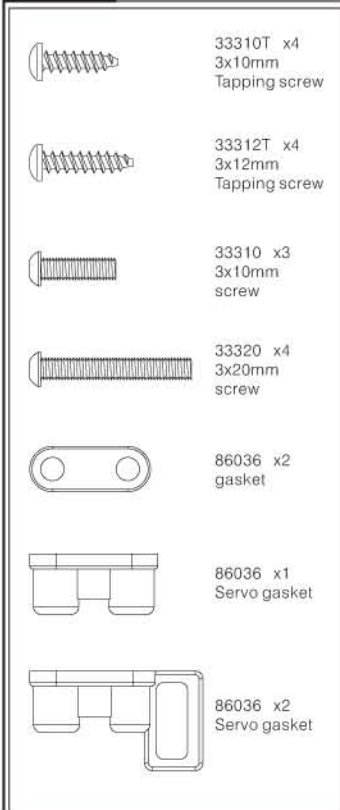
40 Assembly of Fuel Tube



41 Equipment



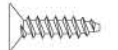
42 Assembly of Radio Tray



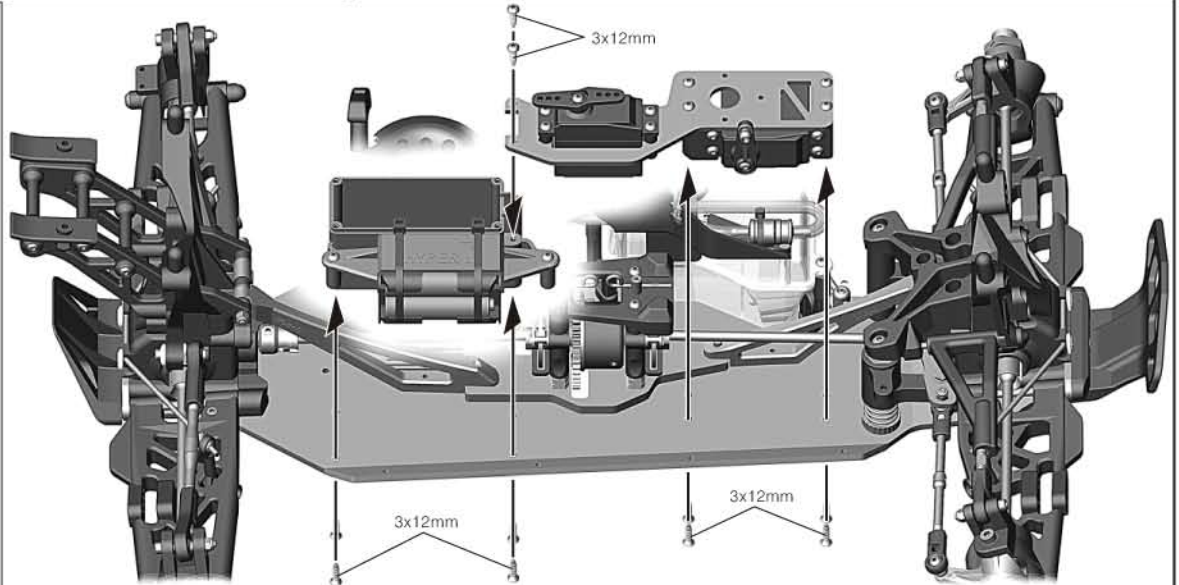
43 Assembly of Radio Tray and Receiver box onto Chassis



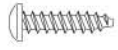
33312T x2
3x12mm
Tapping screw



31312T x8
3x12mm
Tapping screw



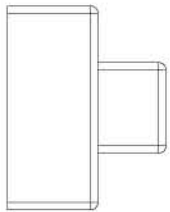
44 Assembly of Receiver box



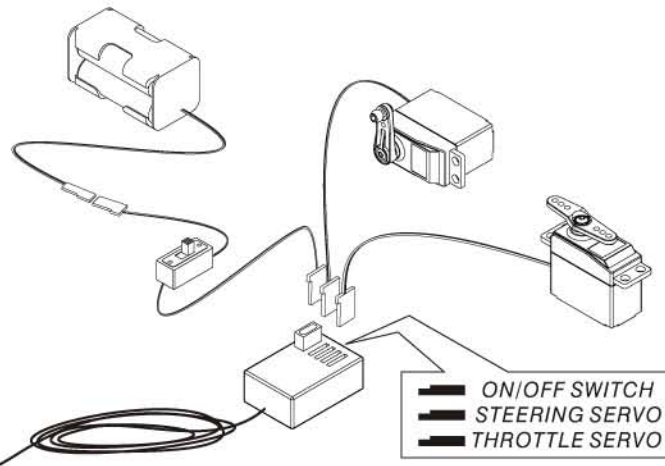
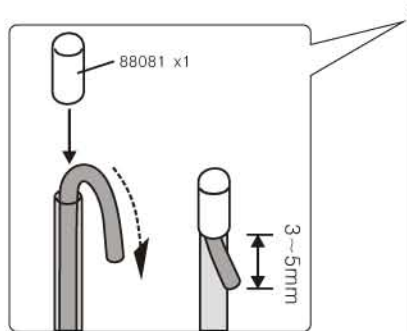
33312T x4
3x12mm
Tapping screw



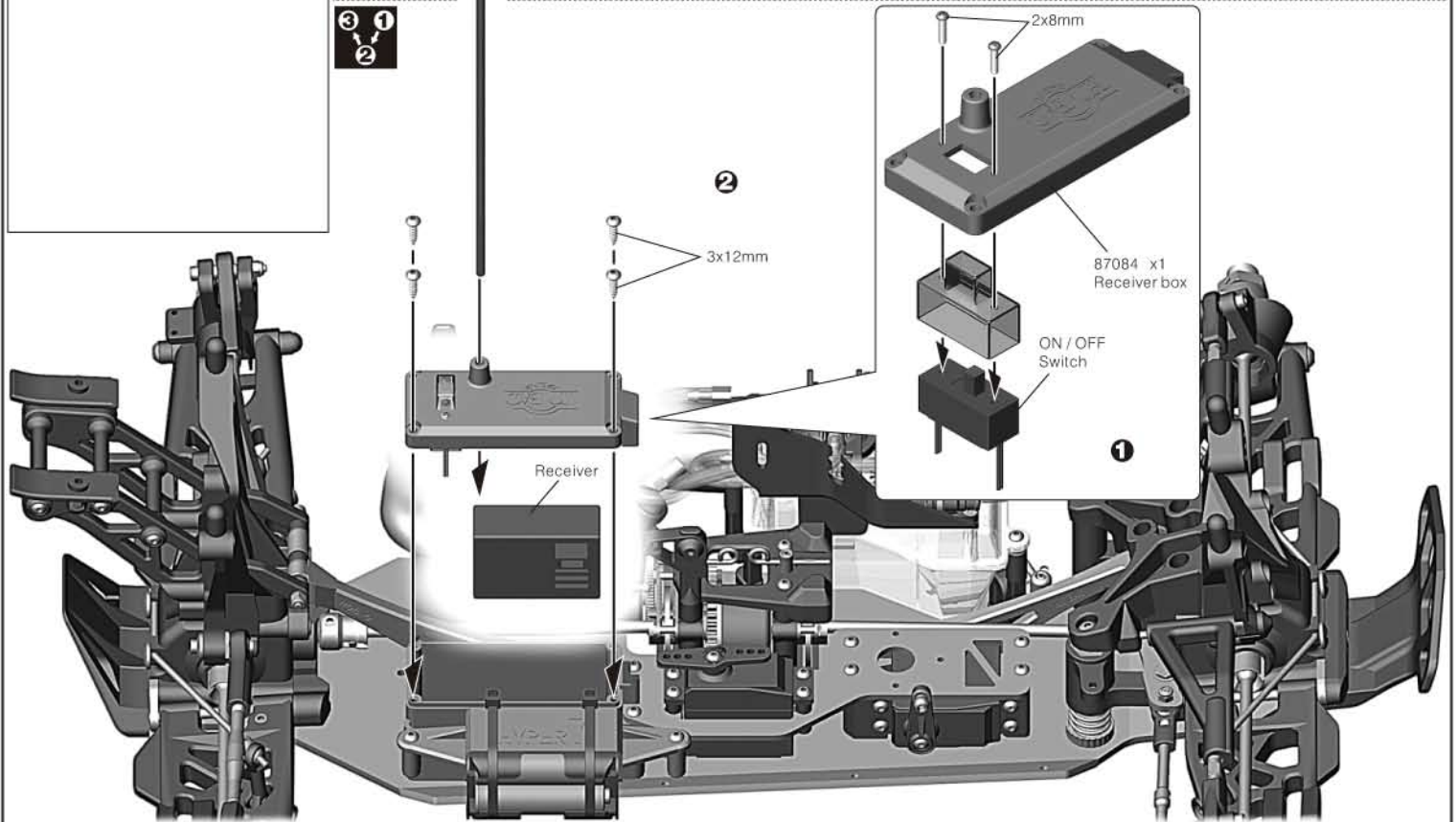
33208 x2
2x8mm
Tapping screw



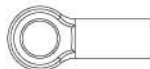



84133 x1
Switch cap

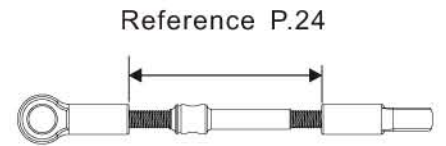
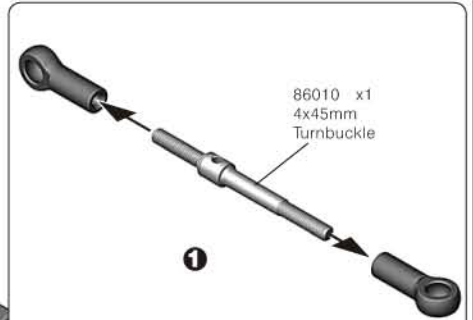
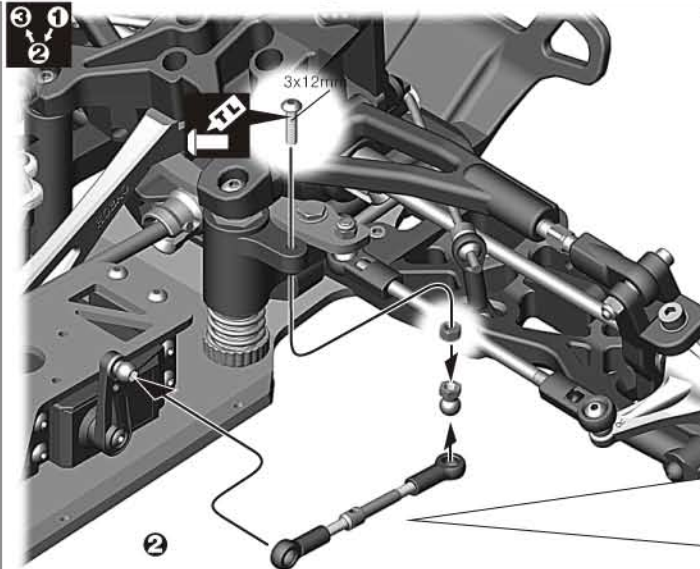


— ON/OFF SWITCH
— STEERING SERVO
— THROTTLE SERVO







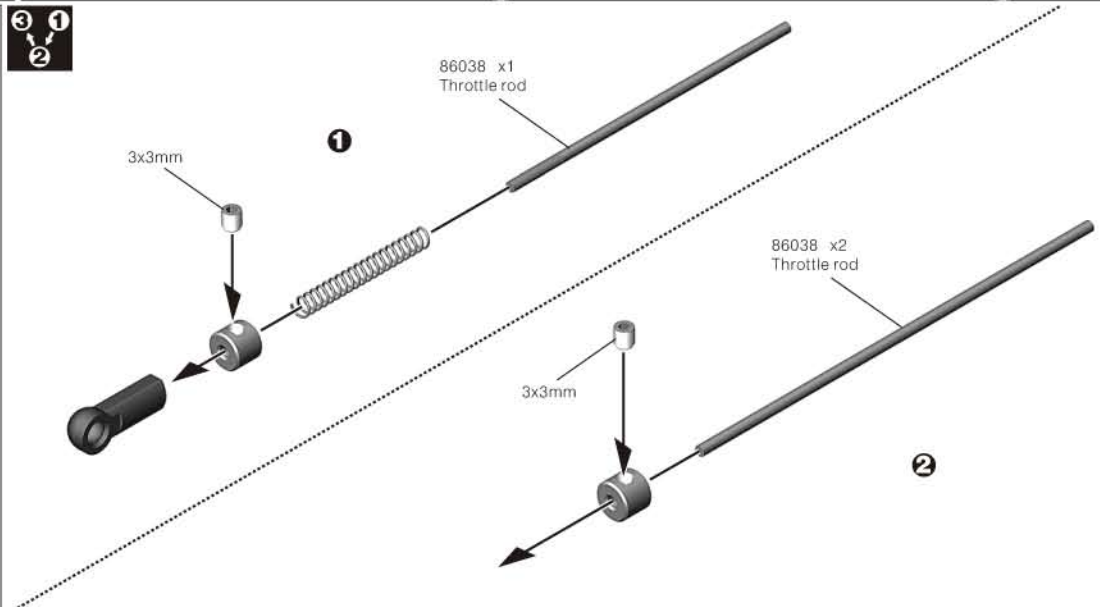
45 Assembly of Steering servo Rod

-  86010 x2
Ball end
-  33312 x1
3x12mm
F/H screw
-  86010 x1
Ball end
-  86017 x1



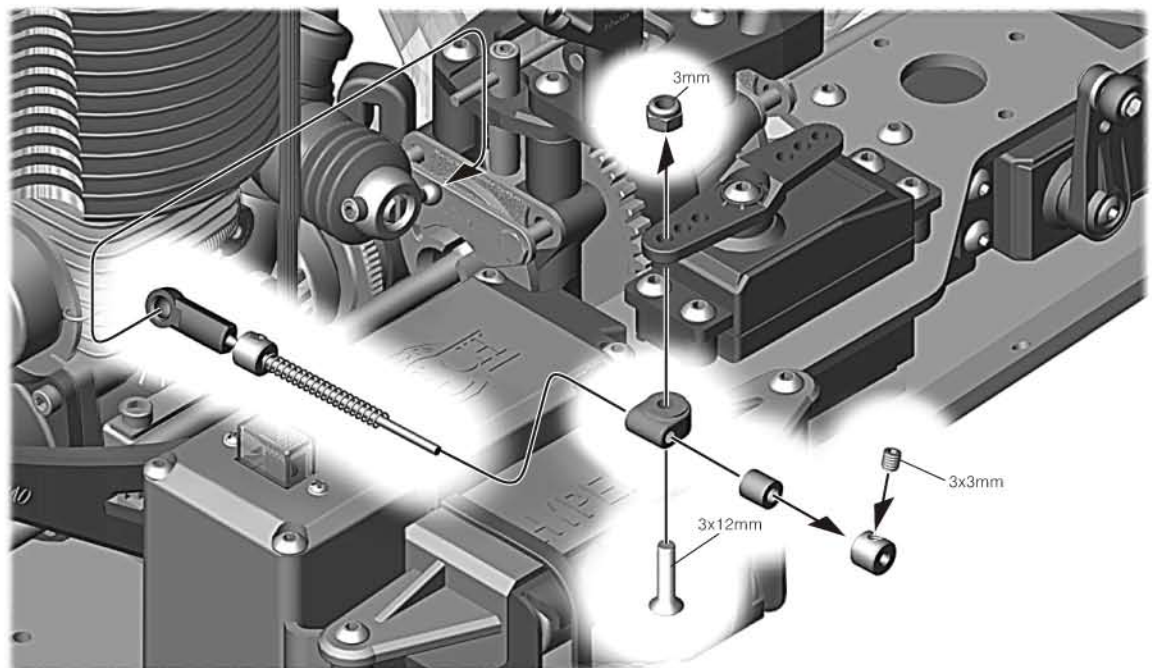
46 Assembly of Throttle Linkage and Brake Linkages

-  86038 x1
Throttle ball end
-  86038 x1
Throttle spring
-  86038 x3
Stopper
-  38303 x3
3x3mm
Set screw










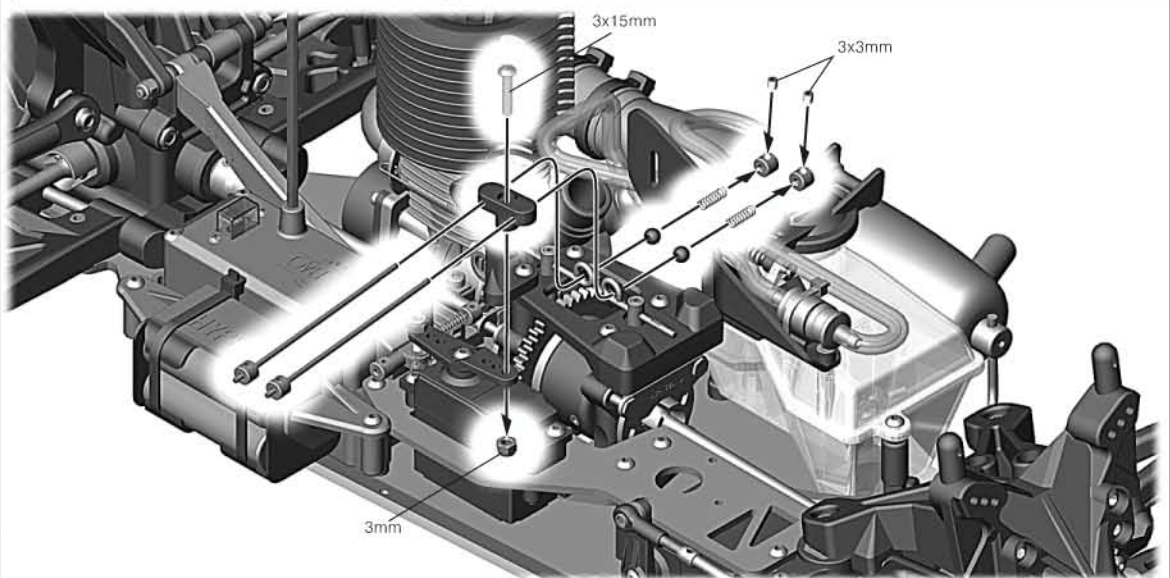
47 Assembly of Throttle Linkage into Lever

-  31312 x1
3x12mm
TP/FH screw
-  86038 x1
Collar
-  39008 x1
3mm
Nylon nut
-  38303 x1
3x3mm
Set screw
-  86038 x1
Stopper
-  87078 x1
Silicone tube



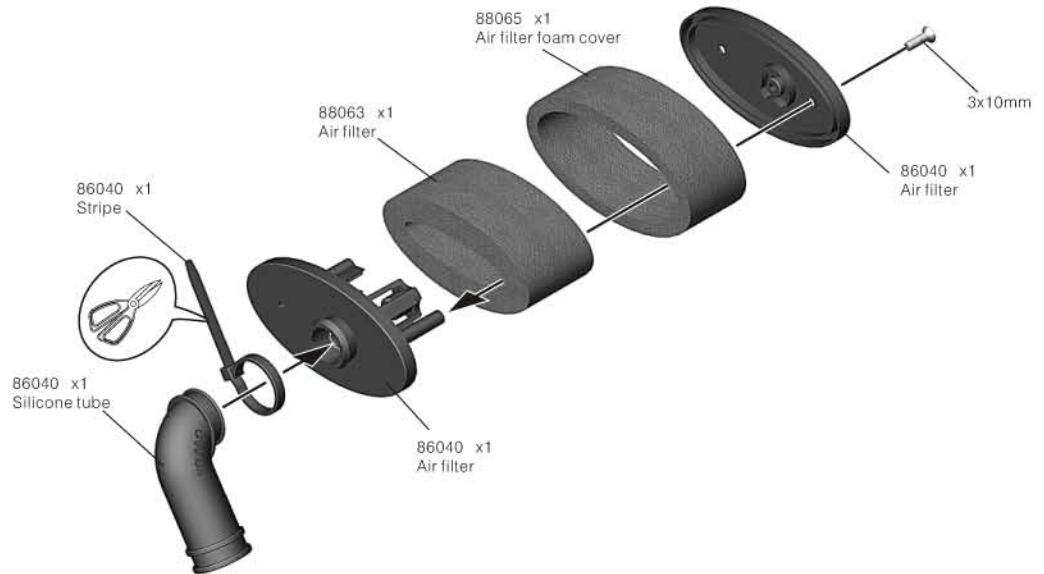
48 Assembly of Brake Linkage into Brake Lever

	38303 x2 3x3mm Set screw
	31315 x1 3x15mm screw
	86038 x2 Throttle spring
	86038 x2 Plastic ball
	86038 x2 Stopper
	39008 x1 3mm Nylon nut
	86037 x1 Brake linkage mount



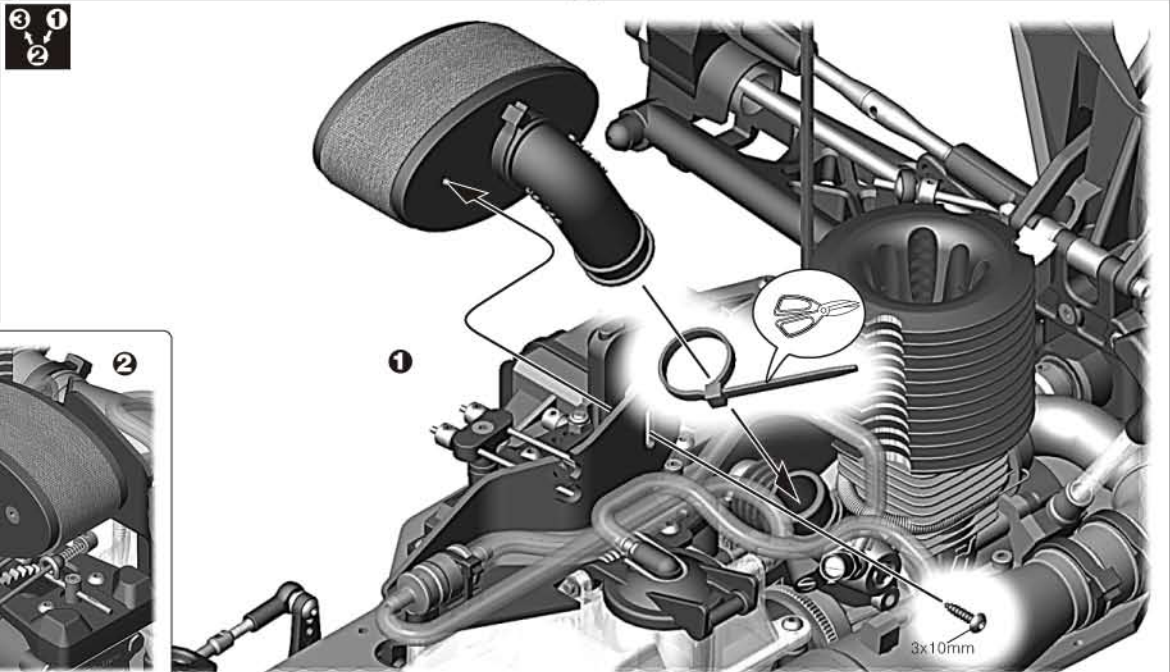
49 Assembly of Air Filter

	31310T x1 3x10mm Tapping screw
--	--------------------------------------



50 Assembly of Air Filter onto Engine

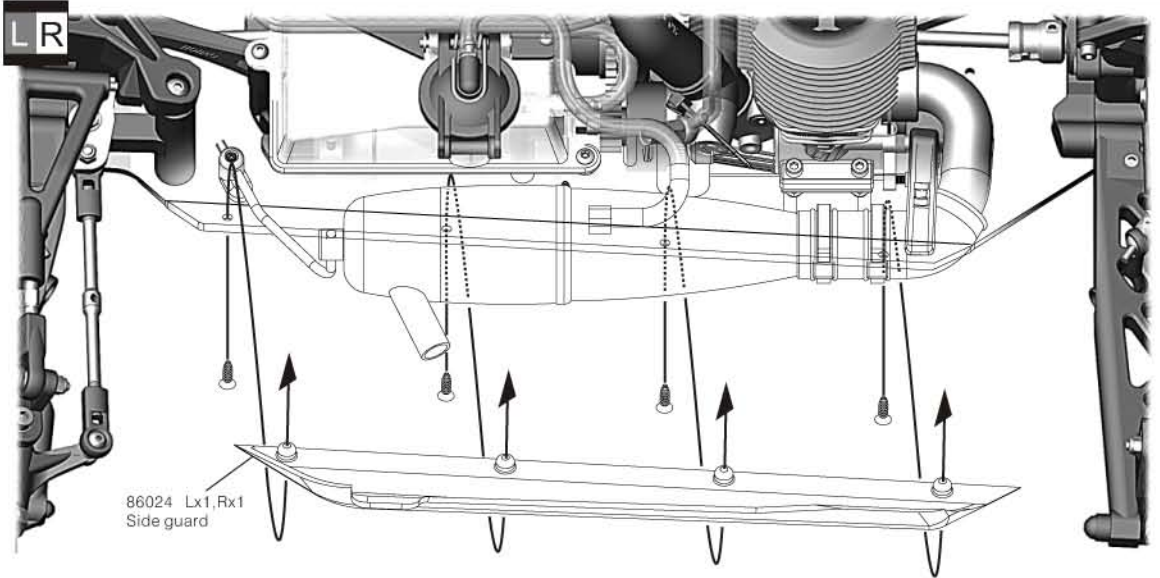
	33310T x1 3x10mm Tapping screw
	33312T x1 3x12mm Tapping screw



51 Assembly of Side Guard



31310T x8
3x10mm
Tapping screw



86024 Lx1,Rx1
Side guard

52 Assembly of Front Shocks-Step-1



87125 x2
2.6mm
Nylon nut



87125 x2
2.6x6.5x0.6mm
washer



87398 x4
Shock collar

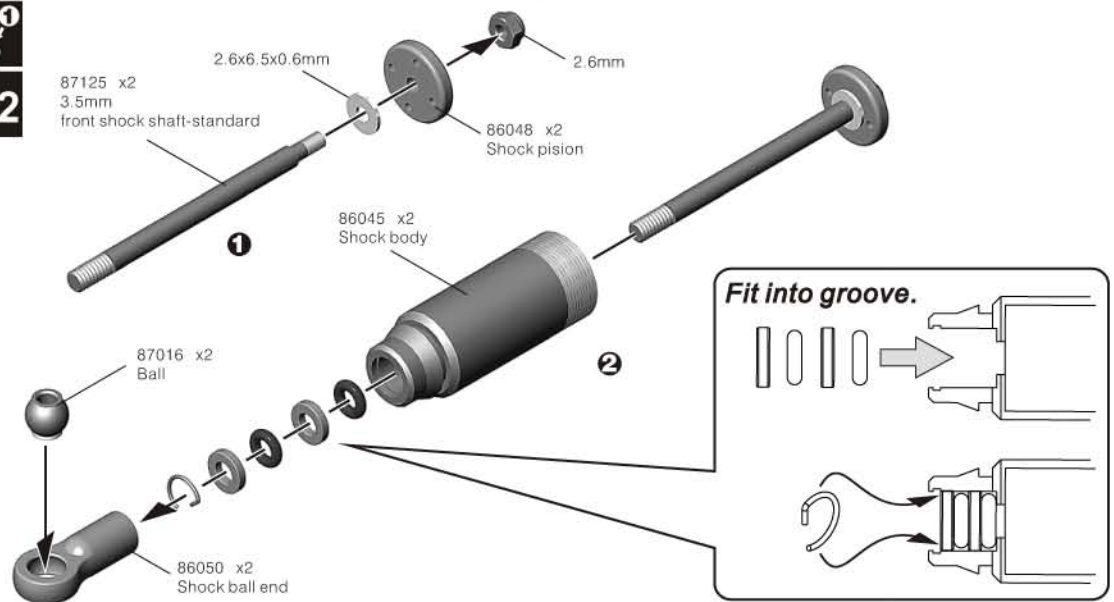


87398 x4
O-ring



87398 x2
C-clips

③ ①
②
X2



53 Assembly of Rear Shocks-Step-2



87126 x2
2.6mm
Nylon nut



87126 x2
2.6x6.5x0.6mm
washer



87398 x4
Shock collar

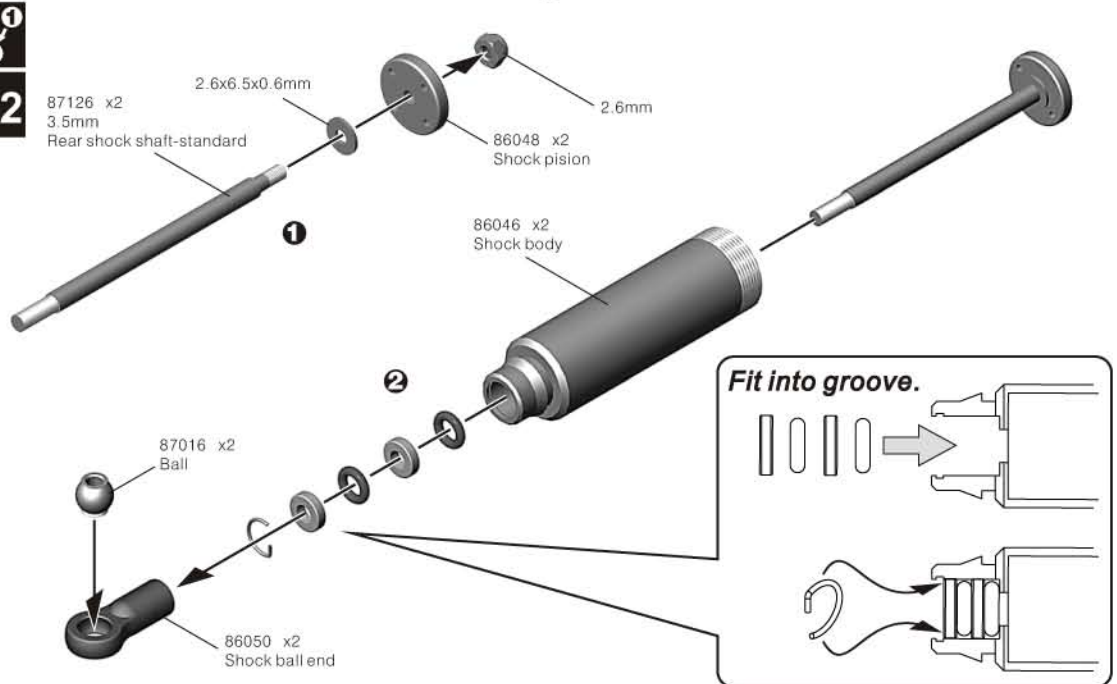


87398 x4
O-ring





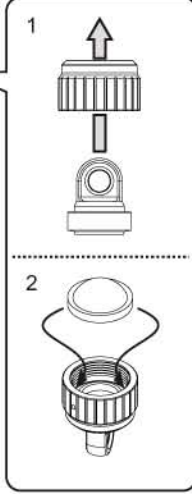
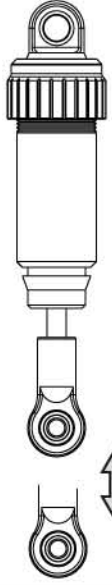




87398 x2
C-clips

③ ①
②
X2



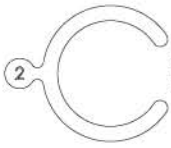
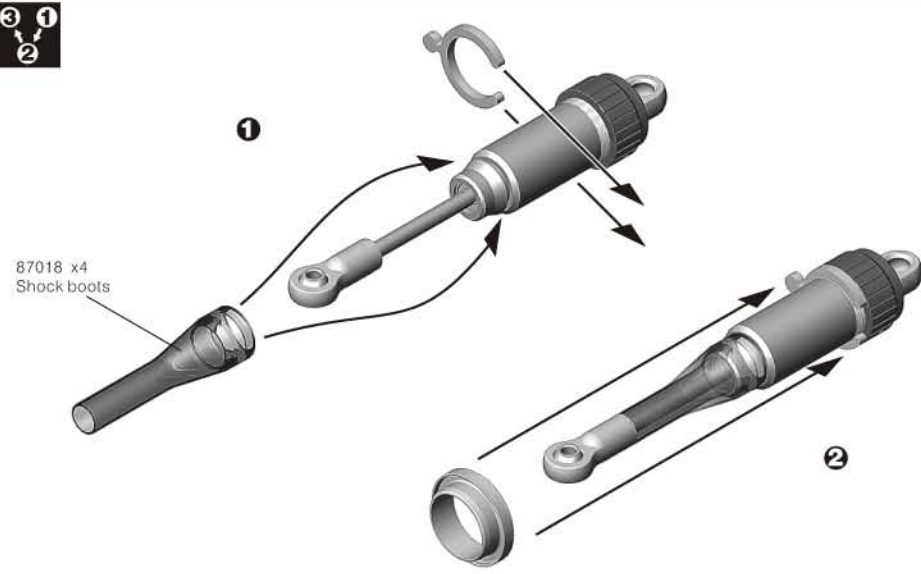

54 Assembly of Front and Rear Shocks-Step-3

	<p>86049 x4 Oil seal</p>	 <p>NO Bubbles</p>	 <p>Shock Oil</p>				<p>X2 SHORT FOR FRONT</p>
	<p>86050 x4 Shock ball head</p>						<p>X2 LONG FOR REAR</p>
	<p>86045 x2 86046 x2 Shock cap</p>						<p>Check if piston moves smoothly</p>

Pull down the piston.


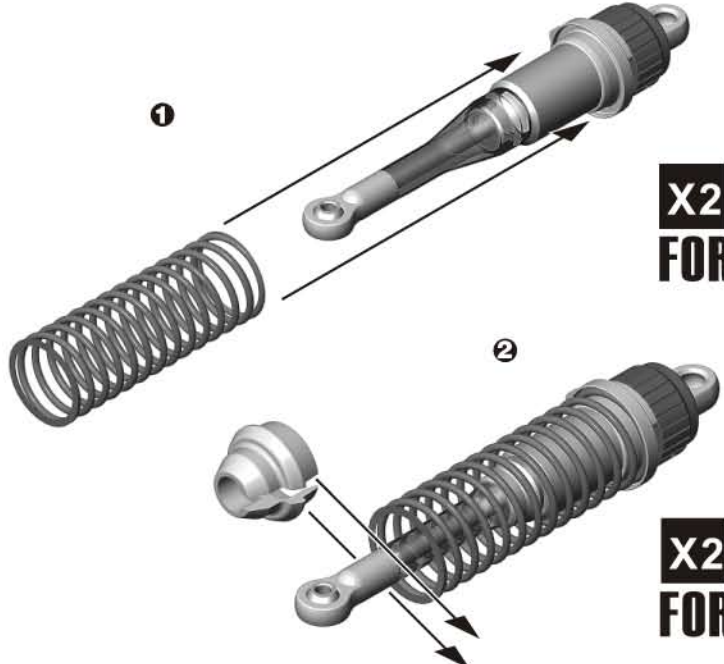
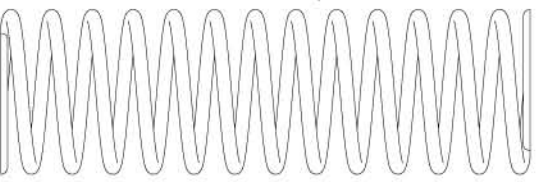
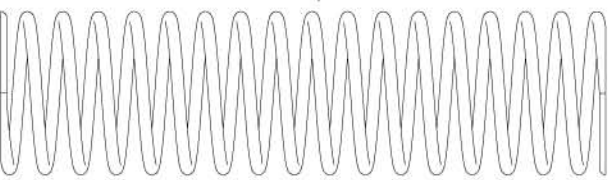
Move the shaft up and down slowly to remove bubbles.

55 Assembly of Shock Shaft Dust Covers

	<p>86050 x4 Plastic shock parts</p>		<p>X2 SHORT FOR FRONT</p>
	<p>86050 x4 Shock spring cap</p>		<p>X2 LONG FOR REAR</p>

87018 x4
Shock boots






56 Assembly of Front and Rear Shock Springs

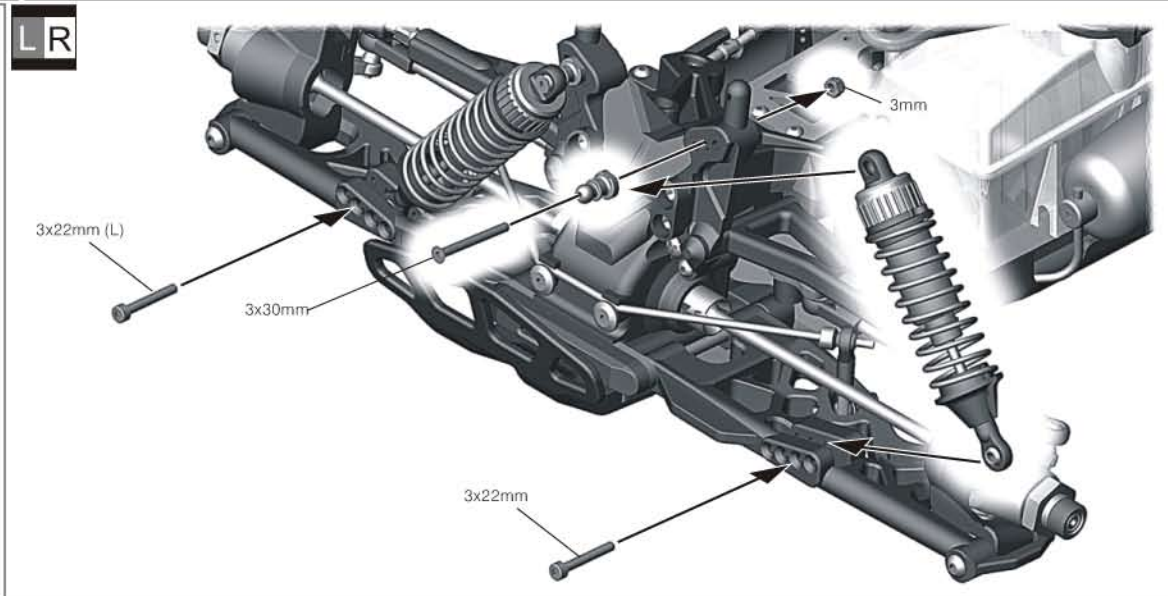
	<p>86050 x4 Shock spring supporter</p>		<p>X2 SHORT FOR FRONT</p>
	<p>86047 x2 Shock spring</p>		<p>X2 LONG FOR REAR</p>
	<p>86047 x2 Shock spring</p>		

For Front



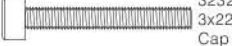


For Rear

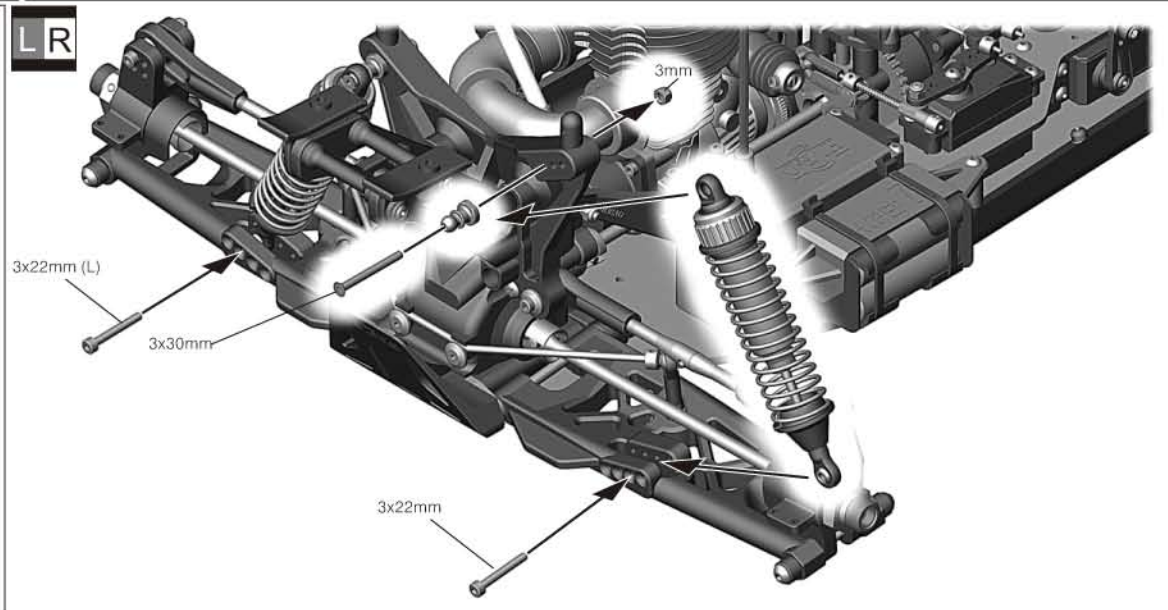
57 Assembly of the Front Shock Absorber

- LR**
-  31330 x2
3x30mm
Cap screws
 -  37353 x1
3x22mm (L)
Cap screws
 -  32322 x1
3x22mm
Cap screws
 -  87031 x2
Steel shock ball
 -  38009 x2
3mm
Nylon nut

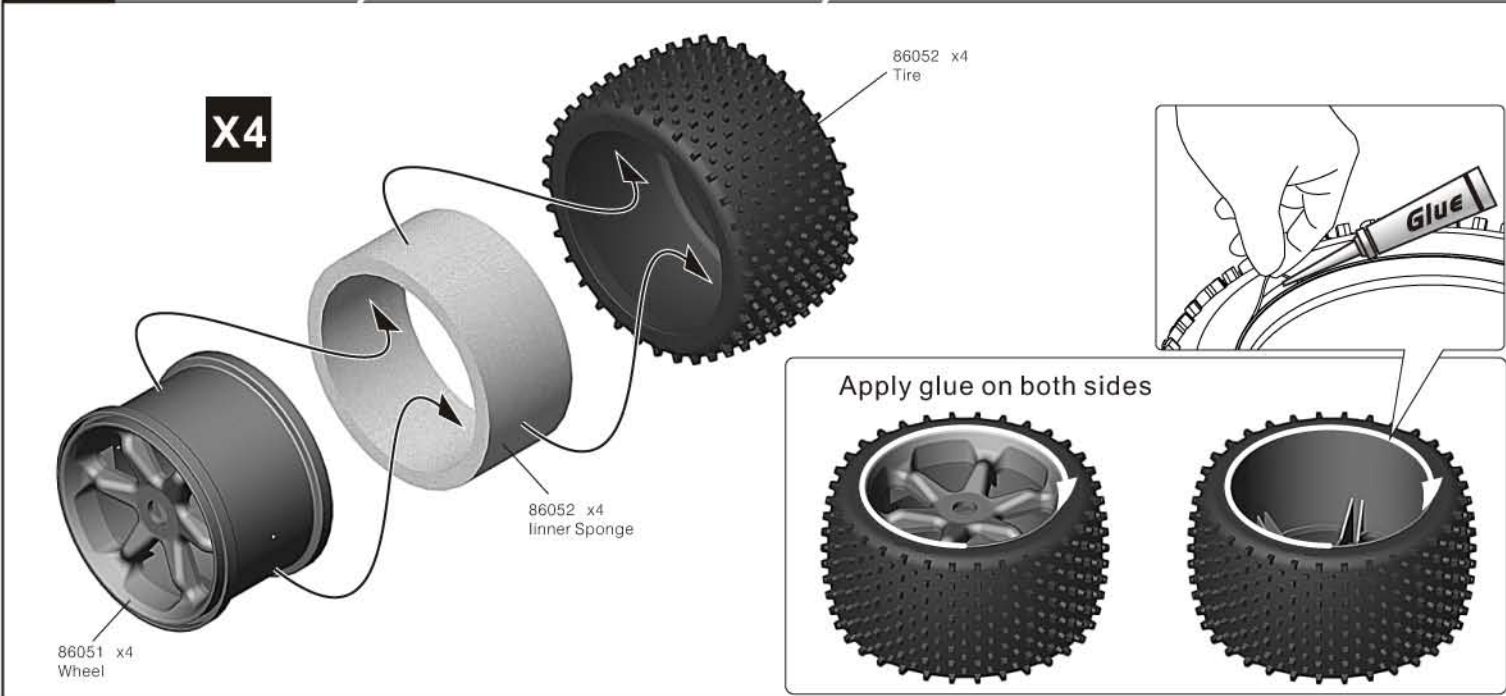


58 Assembly of the Rear Shock Absorber

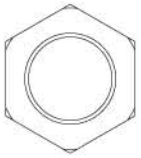
- LR**
-  31330 x2
3x30mm
Cap screws
 -  37353 x1
3x22mm (L)
Cap screws
 -  32322 x1
3x22mm
Cap screws
 -  87031 x2
Steel shock ball
 -  38009 x2
3mm
Nylon nut



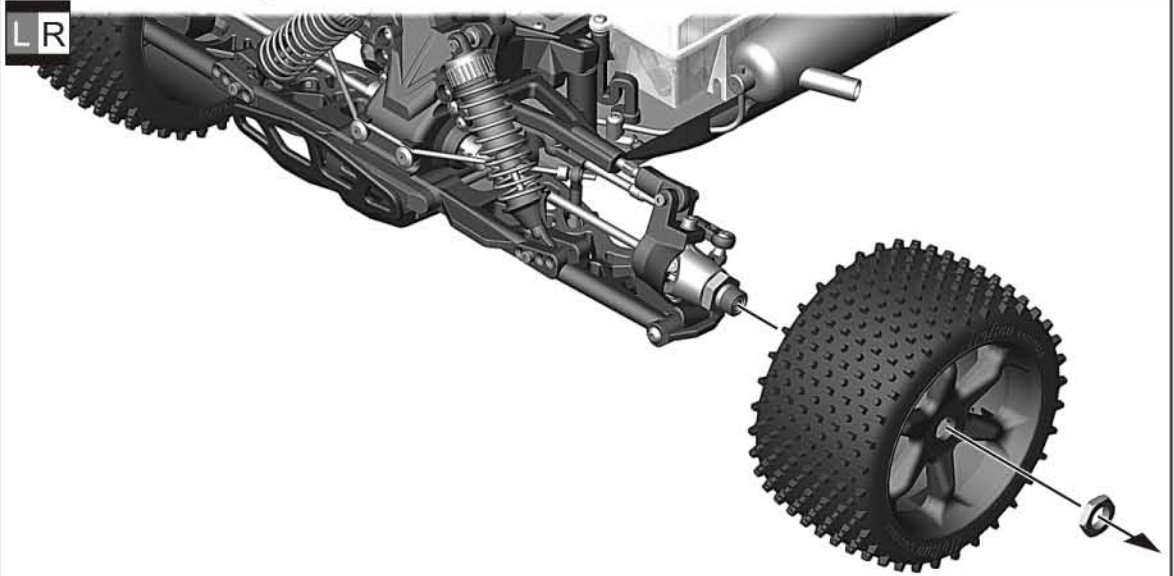
59 Assembly of Wheels and Tyres



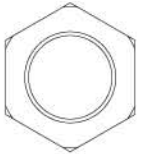
60 Assembly of the Tyres onto Front Knuckles



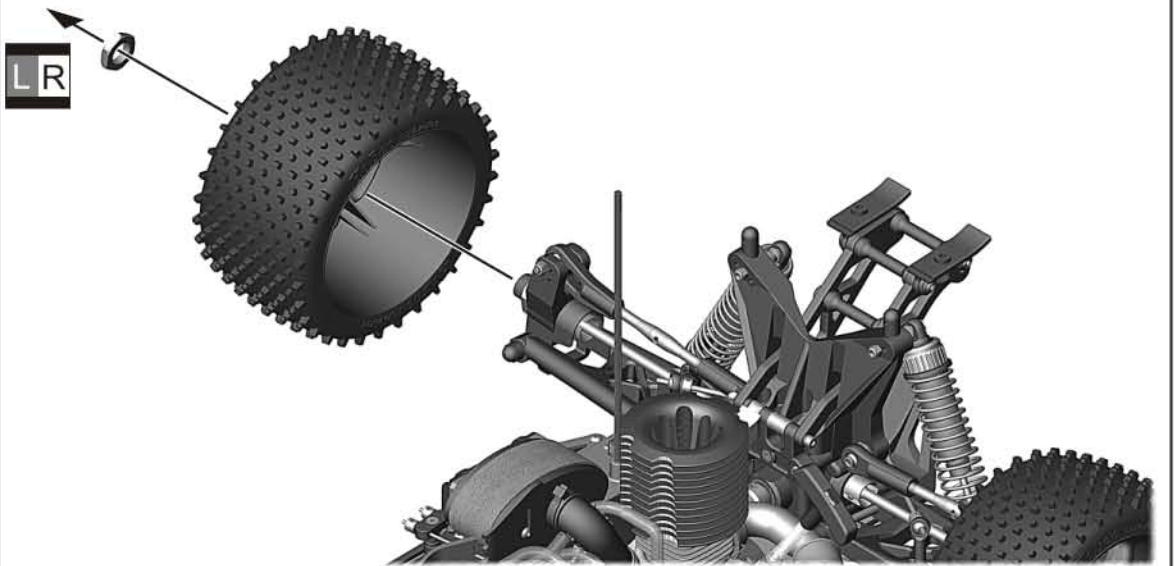
87027 x2
Hex wheel hub



61 Assembly of the Tyres onto Rear Hubs



87027 x2
Hex wheel hub



62 Assembly of the Wing



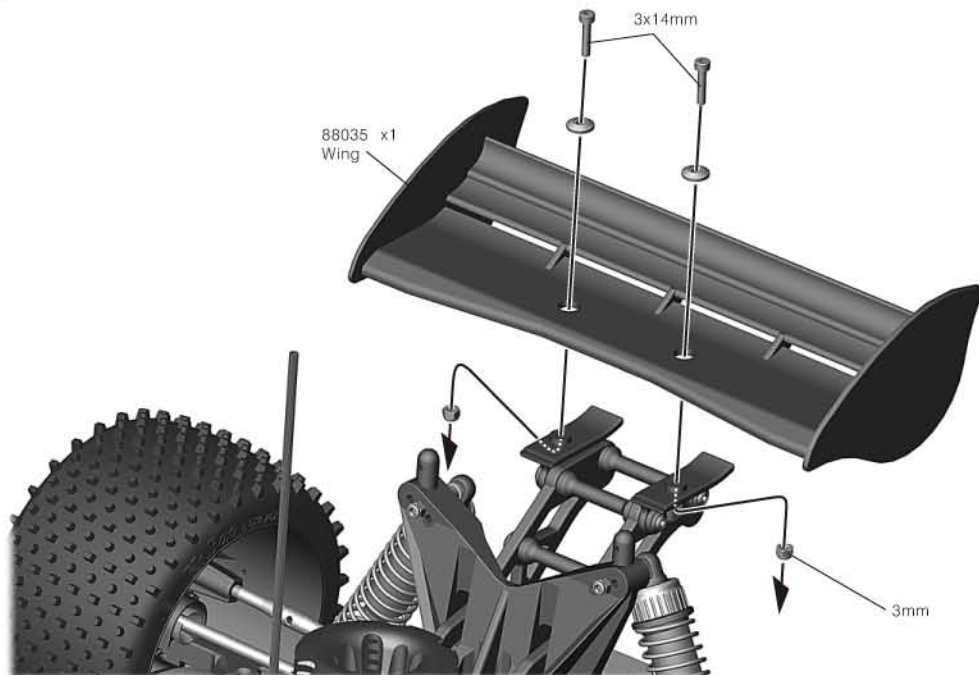
88035 x2
3x14mm
Cap screws



88035 x2
Wing Washer

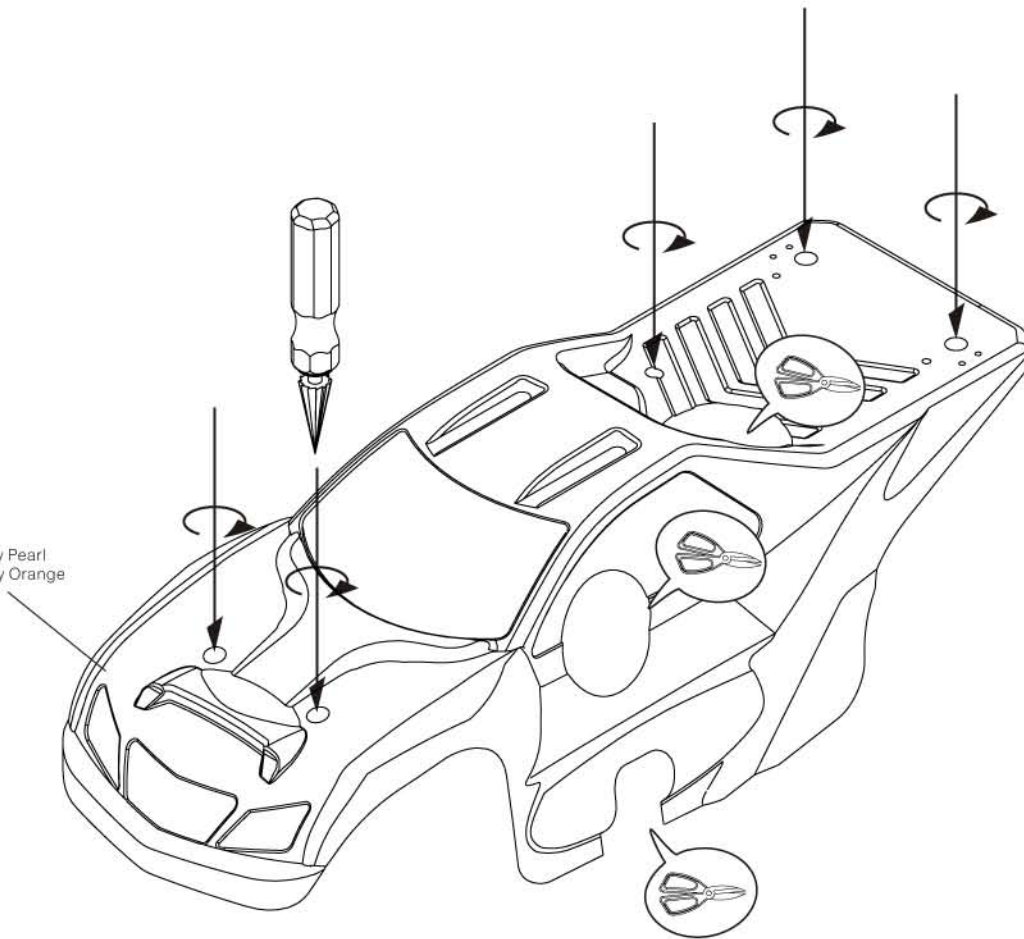


88035 x2
3mm
Nylon nut

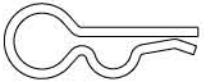


63 Required Drill Position

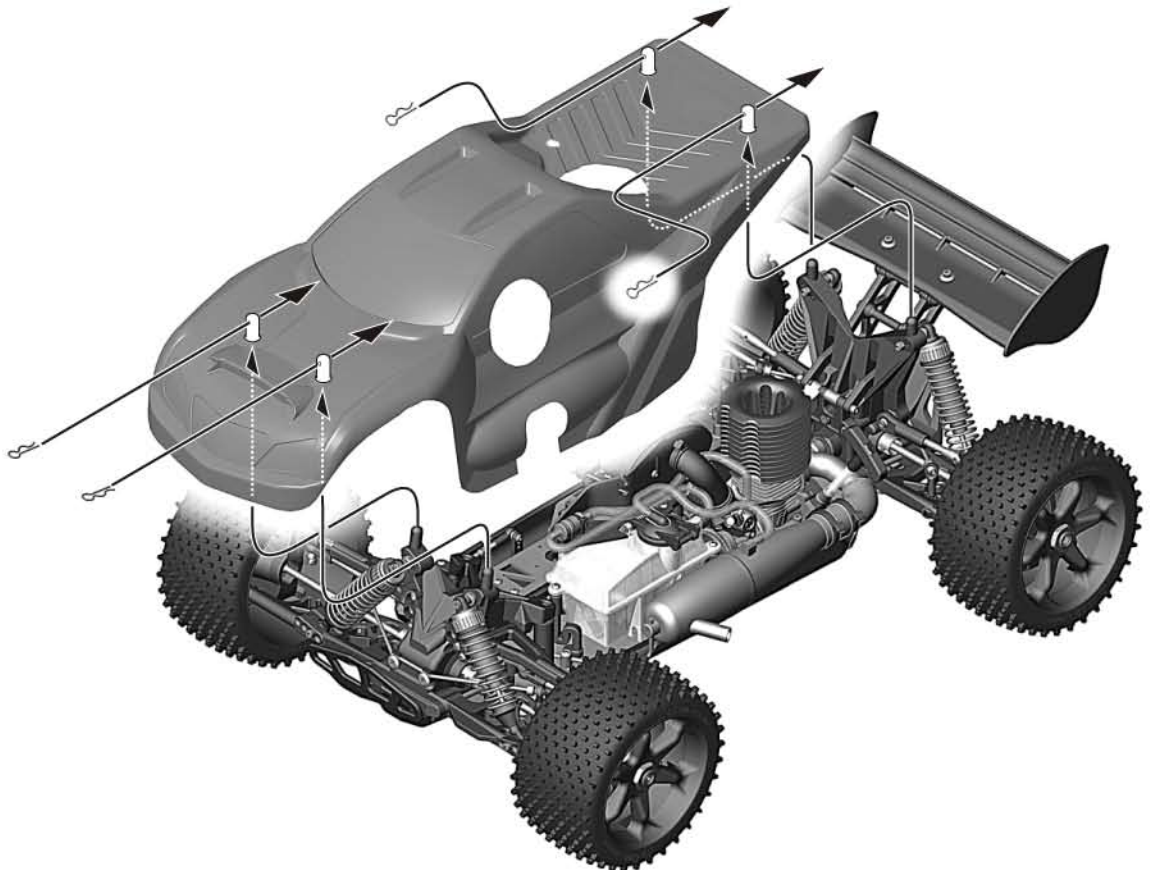
86056P: Printed Body Pearl
86056R: Printed Body Orange



64 Assembly of the Body Shell Mounting



87375 x4
Snap pin





Name: _____

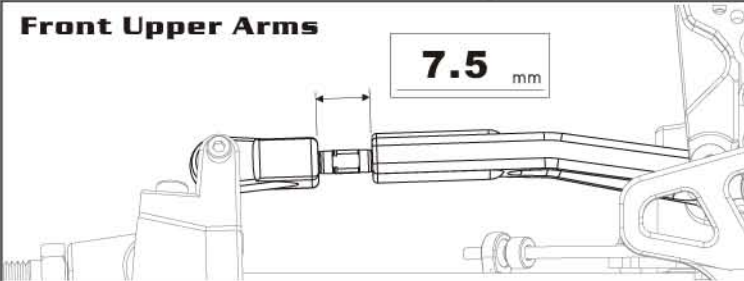
Date: ____/____/____

Track: _____

Length:	Front width:	Rear width:	Wheelbase:	Height:	Weight:
Engine		Diff. Oil		Clutch ball	
Type:		Front: #	Machine oil	13T <input type="checkbox"/> 14T <input checked="" type="checkbox"/> Other _____ T. #	
Gasket:		Center: #	3000	Spur gear	
Plug:		Rear: #	Machine oil	48T <input type="checkbox"/> 52T <input checked="" type="checkbox"/> Other _____ T. #	
Fuel:					

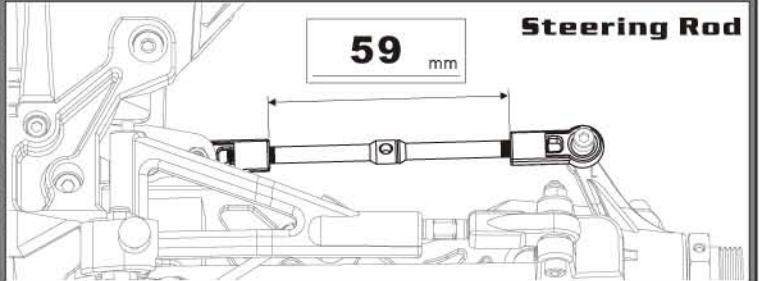
Front Upper Arms

7.5 mm



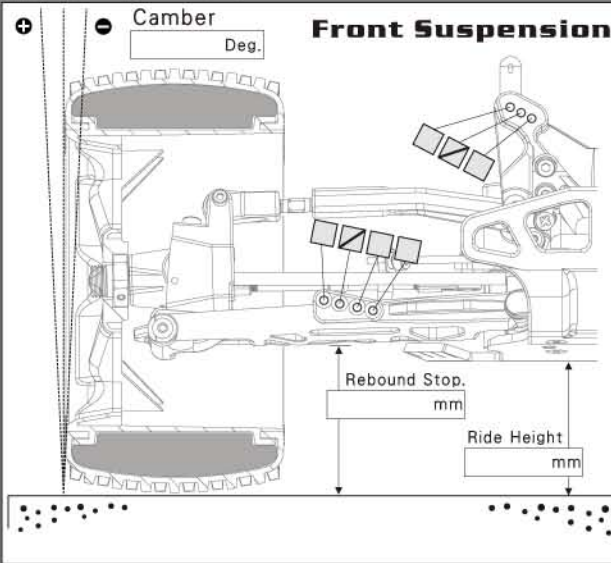
Steering Rod

59 mm



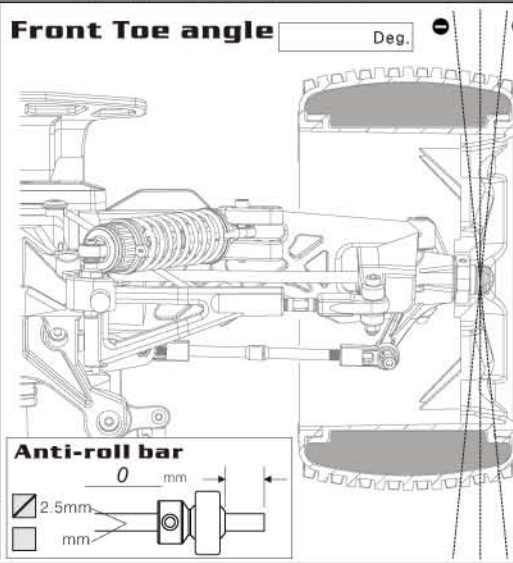
Front Suspension

Camber
Deg.



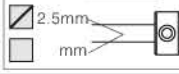
Front Toe angle

Deg.



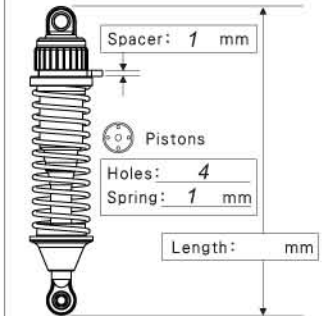
Anti-roll bar

0 mm



Front Shock

Oil: Machine oil



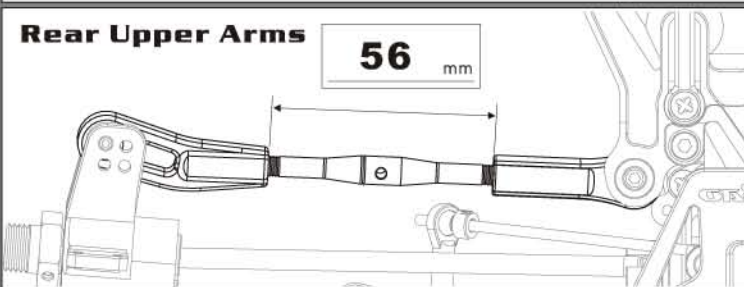
Tire-front

Type: _____

Inner: _____

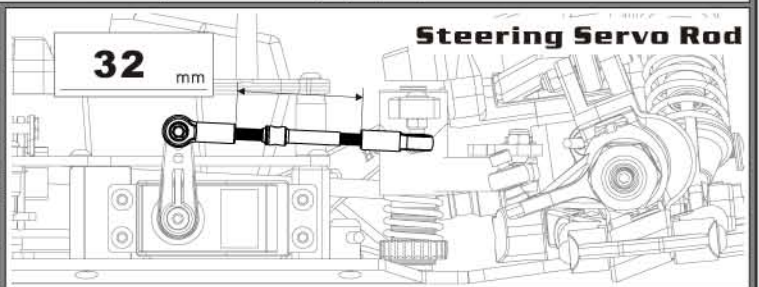
Rear Upper Arms

56 mm



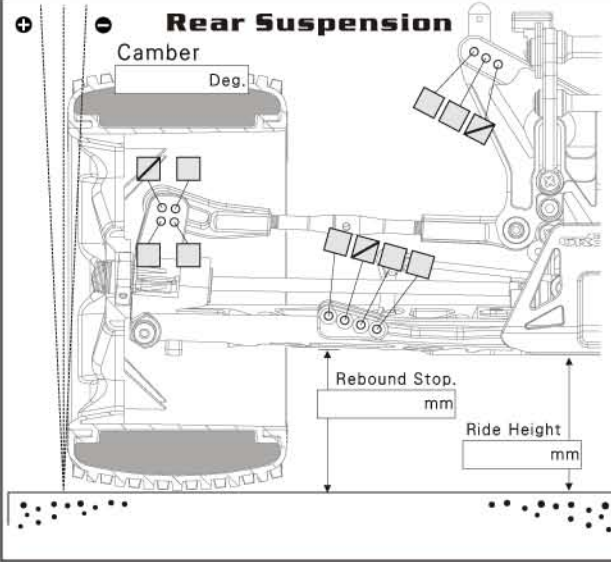
Steering Servo Rod

32 mm



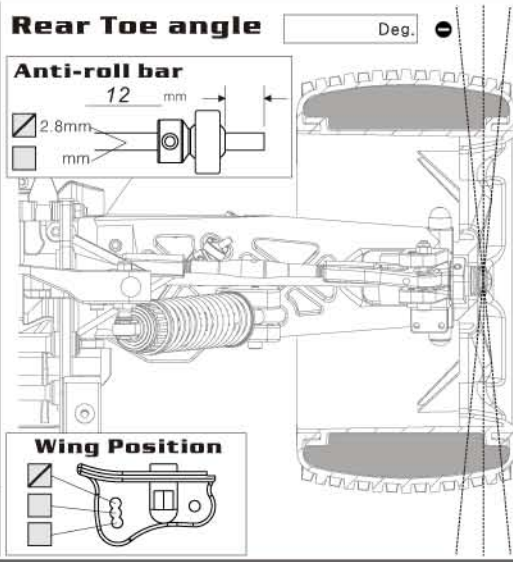
Rear Suspension

Camber
Deg.



Rear Toe angle

Deg.

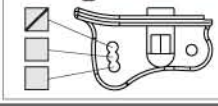


Anti-roll bar

12 mm

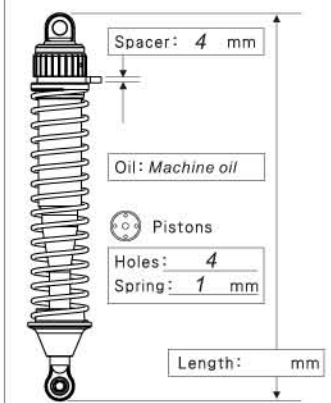


Wing Position



Rear Shock

Spacer: 4 mm



Tire-Rear

Type: _____

Inner: _____



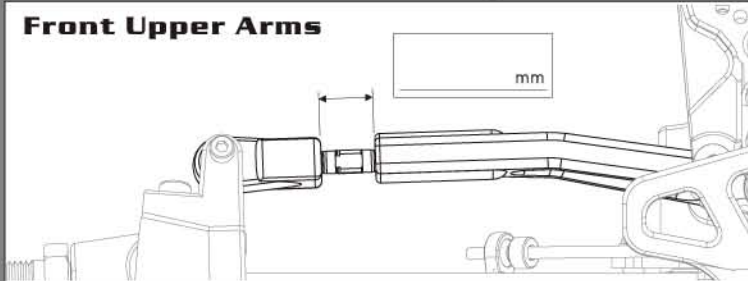
Name: _____

Date: ____/____/____

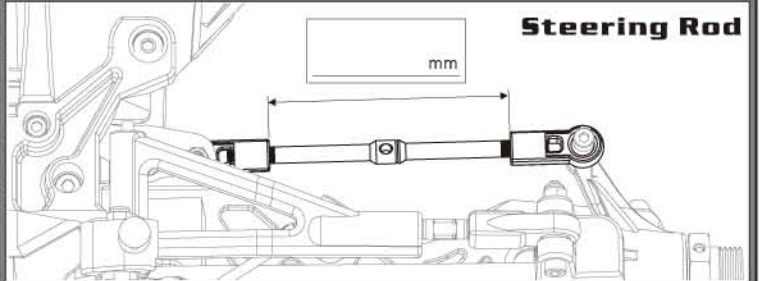
Track: _____

Length:	Front width:	Rear width:	Wheelbase:	Height:	Weight:
Engine Type: _____ Gasket: _____ Plug: _____ Fuel: _____		Diff. Oil Front: # _____ Center: # _____ Rear: # _____		Clutch ball 13T <input type="checkbox"/> 14T <input type="checkbox"/> Other _____ T. # _____ Spur gear 48T <input type="checkbox"/> 52T <input type="checkbox"/> Other _____ T. # _____	

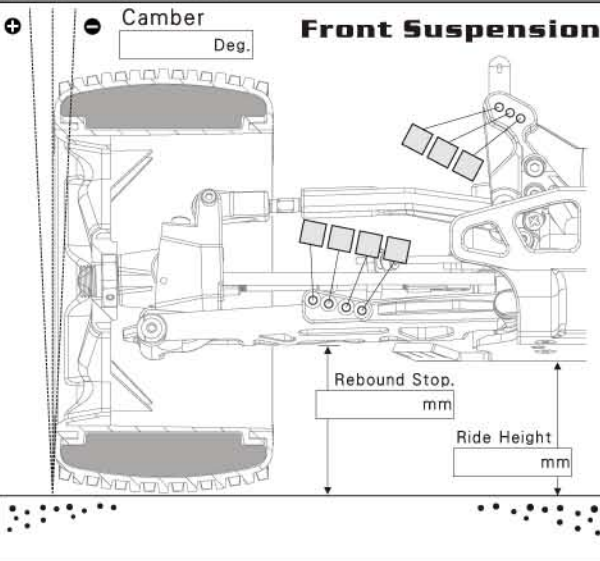
Front Upper Arms



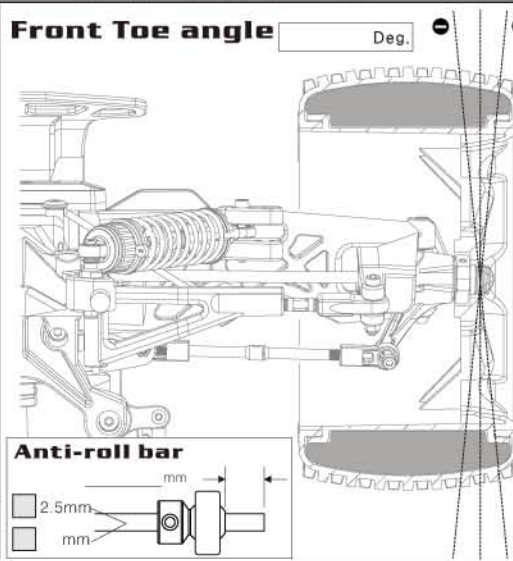
Steering Rod



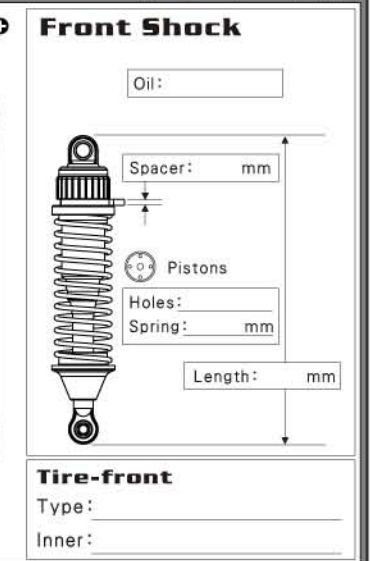
Front Suspension



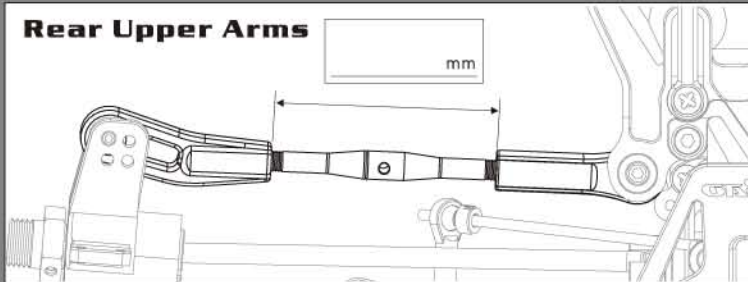
Front Toe angle



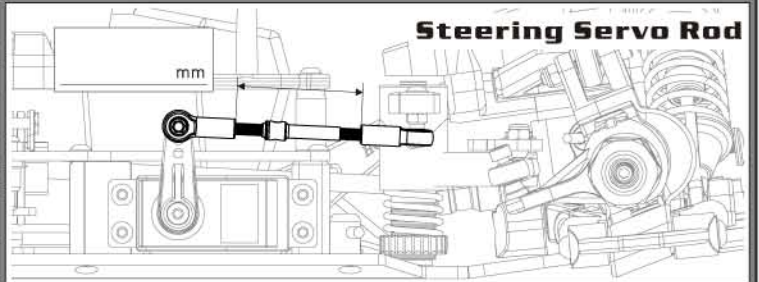
Front Shock



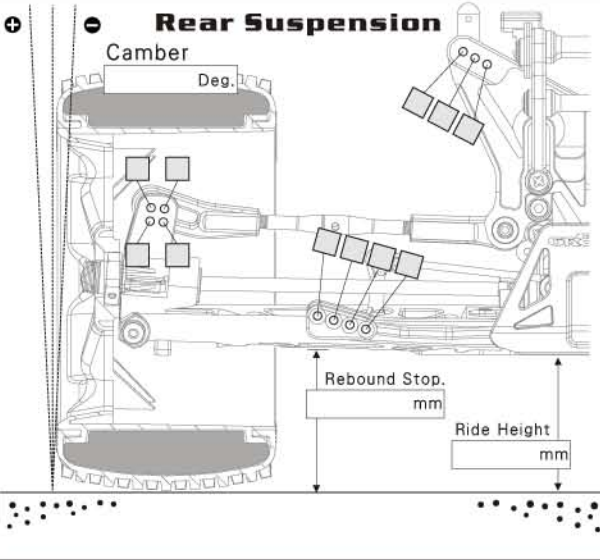
Rear Upper Arms



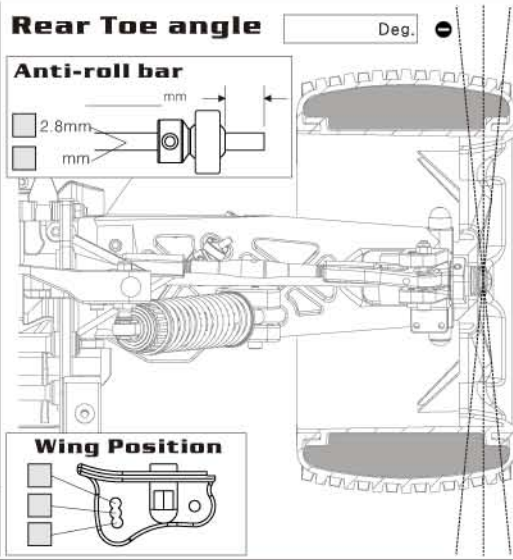
Steering Servo Rod



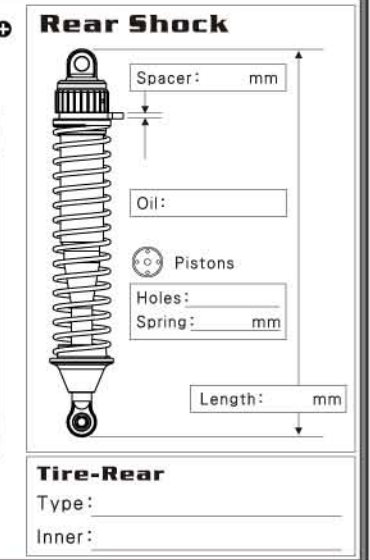
Rear Suspension



Rear Toe angle



Rear Shock



The background features a large, stylized calligraphic graphic in shades of gray. On the left, there are vertical, flowing lines resembling a signature or a specific character. On the right, there are larger, more geometric and blocky calligraphic forms, possibly representing the characters 'HO BAO'.

HO BAO ENTERPRISING CO.,LTD.

www.hobao.com.tw

E-MAIL:hobao@hobao.com.tw

MADE IN TAIWAN

HO BAO ENTERPRISING CO.,LTD.
www.hobao.com.tw
E-MAIL:hobao@hobao.com.tw
MADE IN TAIWAN